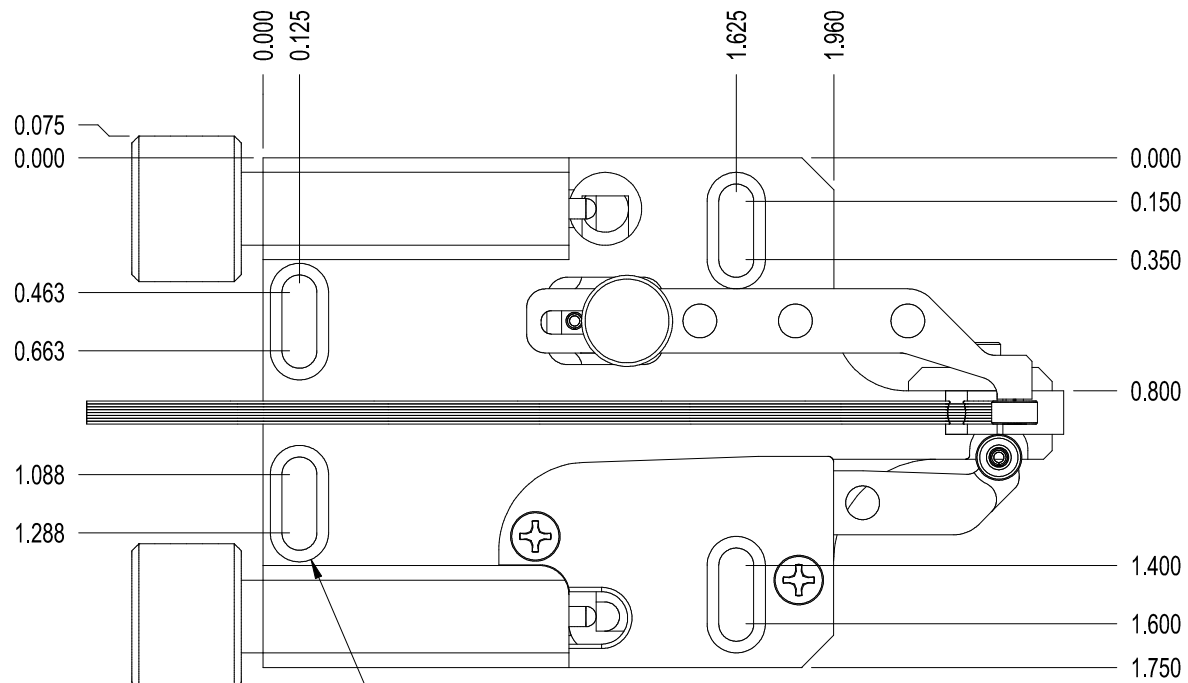


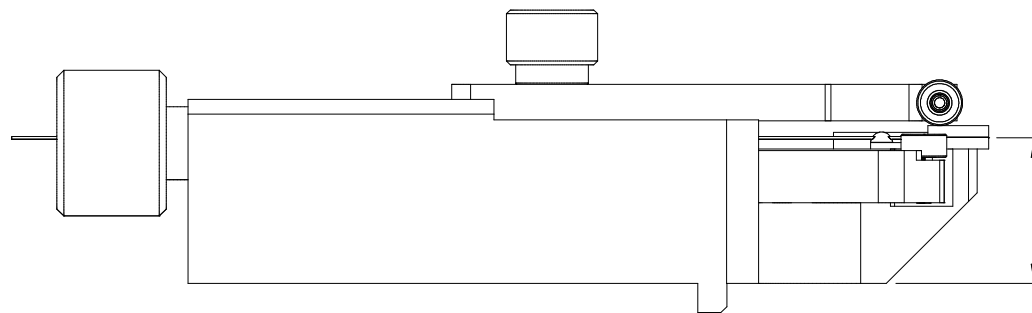
PKG Start Date

REV Date

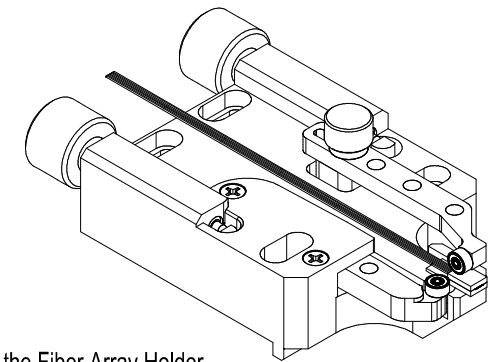
APPROVED



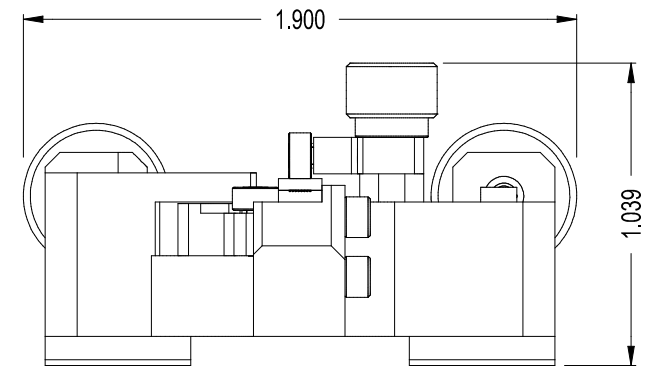
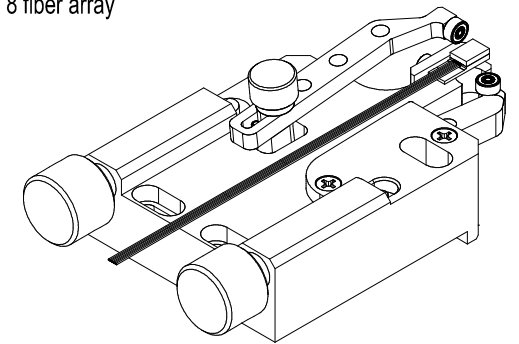
Counterbored clearance hole
for #4 or M2.5 Socket Head Cap Screw,
6 pl.



Optical Axis Height = 0.500



Shown is the Fiber Array Holder
with an 8 fiber array



SKU: NFAH



Narrow Fiber Array Holder

Material:
Finish: Tolerance:

SIZE A	VIEW:	DWG NO.	PT023188A	REV A
SCALE 1.5	FILE	PT023188A.ckd	SHEET 1/1	