

**SLCF-2A2 Series**  
**LC DUPLEX ADAPTOR**  
- Standard Type -

**TECHNICAL SPECIFICATIONS**



**SEIKOH GIKEN Co.,Ltd.**  
**Fiber Optic Products Division**  
296-1, MATSUHIDAI, MATSUDO-SHI,  
CHIBA, 270-2214 JAPAN.  
TEL: +81-47-388-6111 FAX: +81-47-388-4477

SLCF-2A2 Series LC DUPLEX ADAPTOR - Standard Type -  
TECHNICAL SPECIFICATIONS

S04-H036-01E      October                      2006

Copyright © 2006 by **SEIKOH GIKEN Co.,Ltd.**  
All right reserved.

The information contained herein shall not be reproduced or disclosed to any third party without the express written consent of SEIKOH GIKEN Co., Ltd.  
The specifications contained herein are subject to change without notice.

Please address any questions, comments, and suggestions to:

**SEIKOH GIKEN USA, Inc.**  
**Headquarters**

4405 International Blvd., Suite B109  
Norcross, GA 30093 U.S.A.  
TEL: +1-770-279-6602 FAX: +1-770-279-8839

**Northeastern Field Office**

714 Executive Drive  
Princeton, NJ 08540  
TEL: +1-609-279-0225 FAX: +1-609-279-0207

**Western Field Office**

21250 Hawthorne Boulevard, Suite 700  
Torrance, CA 90503  
TEL: +1-310-792-7450 FAX: +1-310-792-7451

**SEIKOH GIKEN Europe GmbH**  
**Frankfurt Branch**

Siemensstrasse 9  
D-63263 Neu-Isenburg, Germany  
TEL: +49-6102-297-701  
FAX: +49-6102-297-750

**SEIKOH GIKEN Hong Kong Co.,Ltd.**

Concordia Plaza 21/F Rm2111,  
1 Science Museum Road, Tsim Sha Tsui East,  
Kowloon, Hong Kong.  
TEL: +852-26206551 FAX: +852-26206525

## TABLE OF CONTENTS

Section		Page
1	SCOPE	1
2	PART NUMBER	1
3	GENERAL SPECIFICATIONS	2
3.1	Parts and Materials	2
3.2	Physical Dimensions	2
3.3	General Tolerance	2
3.4	Insertion Loss	2
3.5	Appearance	3
4	PACKING	4
5	IDENTIFICATION	4
6	HANDLING AND CARE	4
6.1	Conditions of Storage	4
6.2	Precautions of Use	4
6.3	Disposal	4

### Table

Table 1	Part Number	1
Table 2	Parts and Materials	2
Table 3	General Tolerance	2
Table 4	Insertion Loss and Measurement Conditions	3

### Figure

Figure 1	Insertion Loss and Measurement System	3
Figure 2	SLCF-2A2 Series Adaptor	5
Figure 3	④Cap	6
Figure 4	Cut-hole Dimensions for Reference	6



1 SCOPE

These specifications apply to the SLCF-2A2 series LC duplex adaptor - standard type - supplied by SEIKOH GIKEN Co., Ltd.

2 PART NUMBER

Part number of the adaptor is shown in Table 1.

Table 1 Part Number

MODEL Number	TYPE Number					
<b>SLCF-2A2</b>	<b>2</b>	<b>1</b>	<b>1</b>	<b>0</b>	<b>0</b>	<b>G</b>
	Slit Sleeve			Auxiliary digit		
	2	Zirconia		0 0 G		
	Marking			Cap		
	1	No Marking		1 White Plastic Cap		

### 3 GENERAL SPECIFICATIONS

#### 3.1 Parts and Materials

Parts and materials are shown in Table 2.

Table 2 Parts and Materials

No.	Part Name	Qty	Material	Notes
①	Housing	2	PEI	Blue, Flammability UL94 V-0
②	Slit Sleeve	2	Zirconia Ceramics	-
③	Cap	4	PP	White, Flammability UL94 V-0

Note: Item on Table 2 corresponds to the item reference number on Figure 2, 3.

#### 3.2 Physical Dimensions

Figure 2 shows the SLCF-2A2 series adaptor.

Figure 3 shows the part dimensions.

- In accordance with IEC 61754-20 Type LC connector family.

#### 3.3 General Tolerances

Permissible deviation in dimensions without tolerance indication is in accordance with ISO 2768-m (JIS B 0405-m), as shown in Table 3.

Table 3 General Tolerance (ISO 2768-m)

Basic size step [mm]		Permissible deviation [mm]
Over	Under	
0.5	3	±0.1
3	6	±0.1
6	30	±0.2
30	120	±0.3

#### 3.4 Insertion Loss

Insertion loss of the adaptor and measurement conditions are shown in Table 4.

Figure 1 shows the measurement system.

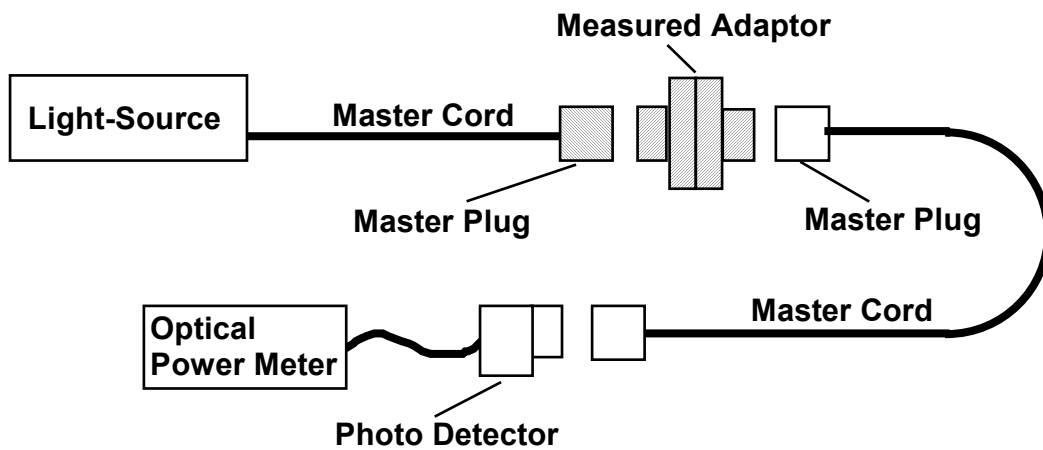


Figure 1 Insertion Loss Measurement System

Table 4 Insertion Loss and Measurement Conditions

Part Number		SLCF-2A2 21100G
Insertion Loss		0.3 dB or less
Conditions	Light Source	LD
	Wave Length	1.31 $\mu\text{m}$
	Applicable Fiber	Single mode
	Master Cord Type	PC, R20mm

### 3.5 Appearance

There shall be no burrs or scratches that affect the product.

#### 4 PACKING

The product is packed to prevent damage during shipment.

#### 5 IDENTIFICATION

Identification label should indicate the part number and the lot number of the product(s) and should be permanently attached to the packing bag.

#### 6 HANDLING AND CARE

##### 6.1 Conditions of Storage

Keep the product, in the packing bag, at the following conditions for its storage.

- Storage temperature: -40 to +85 degrees C
- Storage humidity: 0 to 85%RH, non-condensing

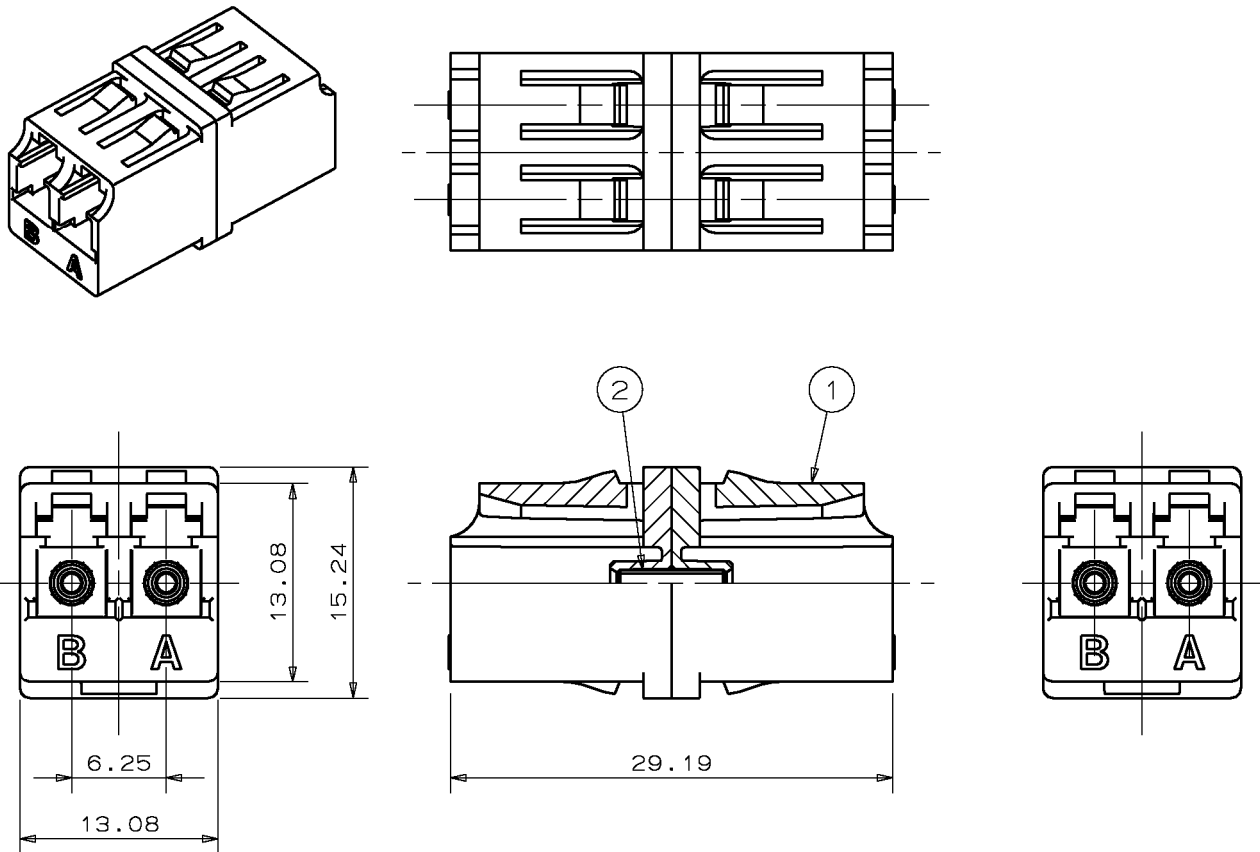
##### 6.2 Precautions for Use

Contamination, oil, sweat and others debris on the inside of the slit sleeve may influence the performance of the product. If contamination is on the inside of the slit sleeve, clean the inside before connecting.

##### 6.3 Disposal

When discarding this product, please follow the regulations of your own country.

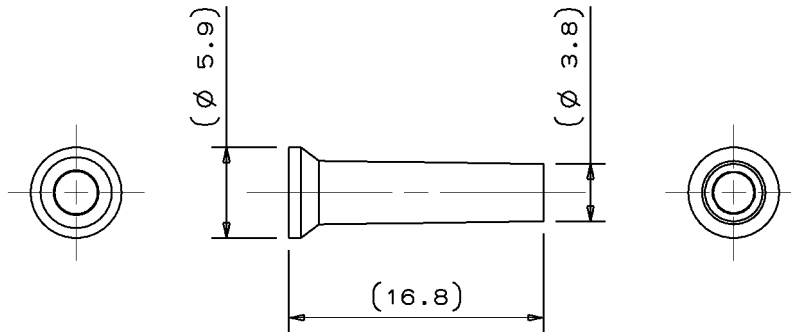




Note: This drawing does not include the cap.

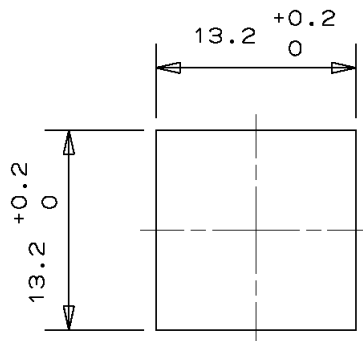
Unit: mm

Figure 2 SLCF-2A2 Series Adaptor



Unit: mm

Figure 3 ④Cap



$t = 1.55$  to  $1.70$

Unit: mm

Figure 4 Cut-hole dimensions