

SLCFP-2A4 Series
LC DUPLEX ADAPTOR
- SC-Footprint Short Flange Type -
TECHNICAL SPECIFICATIONS



SEIKOH GIKEN Co.,Ltd.
296-1, MATSUHIDAI, MATSUDO-SHI,
CHIBA, 270-2214 JAPAN.
TEL: +81-47-388-6111 FAX: +81-47-388-4477

SLCFP-2A4 Series LC DUPLEX ADAPTOR - SC-Footprint Short Flange Type -
TECHNICAL SPECIFICATIONS

S04-H044-01E August 2010
S04-H044-02E March 2014

Copyright © 2010 - 2014 by **SEIKOH GIKEN Co.,Ltd.**
All right reserved.

The information contained herein shall not be reproduced or disclosed to any third party without the express written consent of SEIKOH GIKEN Co., Ltd. The specifications and materials contained herein are subject to change without notice.

Please address any questions, comments, and suggestions to:

SEIKOH GIKEN USA, Inc.

4405 International Blvd., Suite B109
Norcross, GA 30093 U.S.A.
TEL: +1-770-279-6602
FAX: +1-770-279-8839

SEIKOH GIKEN Europe GmbH

Siemensstrasse 9
D-63263 Neu-Isenburg, Germany
TEL: +49-6102-297-701
FAX: +49-6102-297-750

SEIKOH GIKEN Hangzhou Co.,Ltd.

526 Binkang Road Binjiang District, Hangzhou,
Zhejiang, China 310052, P.R. China
TEL: +86-571-8777-4098
FAX: +86-571-8777-4099

TABLE OF CONTENTS

Section	Page
1 SCOPE.....	1
2 PART NUMBER	1
3 GENERAL SPECIFICATIONS	2
3.1 Parts and Materials	2
3.2 Physical Dimensions	2
3.3 General Tolerances.....	2
3.4 Insertion Loss.....	2
3.5 Appearance.....	3
4 PACKING	3
5 IDENTIFICATION.....	3
6 HANDLING AND CARE	4
6.1 Conditions of Storage.....	4
6.2 Precautions for Use.....	4
6.3 Disposal	4

Table

Table 1 Part Number	1
Table 2 Parts and Materials	2
Table 3 General Tolerance (ISO 2768-m).....	2
Table 4 Insertion Loss and Measurement Conditions	3

Figure

Figure 1 Insertion Loss Measurement System	3
Figure 2-1 SLCFP-2A4 Series (Standard) Adaptor	5
Figure 2-2 SLCFP-2A4 Series (With Shutter) Adaptor	6
Figure 3 ©Cap.....	7
Figure 4 Cut-hole Dimensions for Reference	7


1 SCOPE

These specifications apply to the SLCFP-2A4 series LC duplex adaptor - SC-footprint short flange type - supplied by SEIKOH GIKEN Co., Ltd.

2 PART NUMBER

Part number of the adaptor is shown in Table 1.

Table 1 Part Number

MODEL Number	TYPE Number					
SLCFP-2A4	2	2	7	0	1	G
Slit Sleeve					Auxiliary digit	
2	Zirconia				1 G	
Marking					Specification	
2	 SG / SLCFP-2A				0	Standard (without Shutter)
					X	With Shutter on one end
					Cap	
					7	Black Grip Cap
					8	Clear Grip Cap

3 GENERAL SPECIFICATIONS

3.1 Parts and Materials

Parts and materials are shown in Table 2.

Table 2 Parts and Materials

No.	Part Name	Qty	Material	Notes
①	Housing	1	PEI	Blue, Flammability UL94 V-0
②	Split Sleeve	2	Zirconia Ceramics	-
③	Sleeve Holder	1	PEI	Flammability UL94 V-0
④	Plate	1	Stainless Steel	-
⑤	Shutter	1	Stainless Steel	-
⑥	Cap	4	PC	Flammability UL94 V-0

Note: Item on Table 2 corresponds to the item reference number on Figure 2 and 3.

3.2 Physical Dimensions

Figure 2 shows the SLCFP-2A4 series adaptor.

Figure 3 shows the part dimensions.

- In accordance with IEC 61754-20 Type LC connector family.
- In accordance with JIS C 5964-20 Type LC connector family.

3.3 General Tolerances

Permissible deviation in dimensions without tolerance indication is in accordance with ISO 2768-m (JIS B 0405-m), as shown in Table 3.

Table 3 General Tolerance (ISO 2768-m)

Basic size step [mm]		Permissible deviation [mm]
Over	Under	
0.5	3	±0.1
3	6	±0.1
6	30	±0.2
30	120	±0.3

3.4 Insertion Loss

Insertion loss of the adaptor and measurement conditions are shown in Table 4.

Figure 1 shows the measurement system.

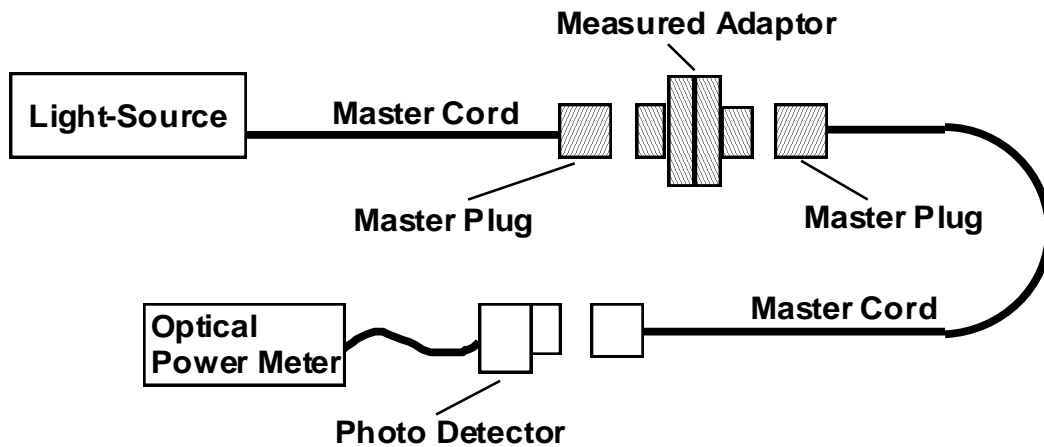


Figure 1 Insertion Loss Measurement System

Table 4 Insertion Loss and Measurement Conditions

Part Number		SLCFP-2A4 22**1G
Insertion Loss		0.2 dB or less
Conditions	Light Source	LD
	Wave Length	1.31 μm
	Applicable Fiber	Single mode
	Master Cord Type	PC, R20mm

3.5 Appearance

There shall be no burrs or scratches that affect the product.

4 PACKING

The product is packed to prevent damage during shipment.

5 IDENTIFICATION

Identification label should indicate the part number and the lot number of the product(s) and should be permanently attached to the packing bag.

6 HANDLING AND CARE

6.1 Conditions of Storage

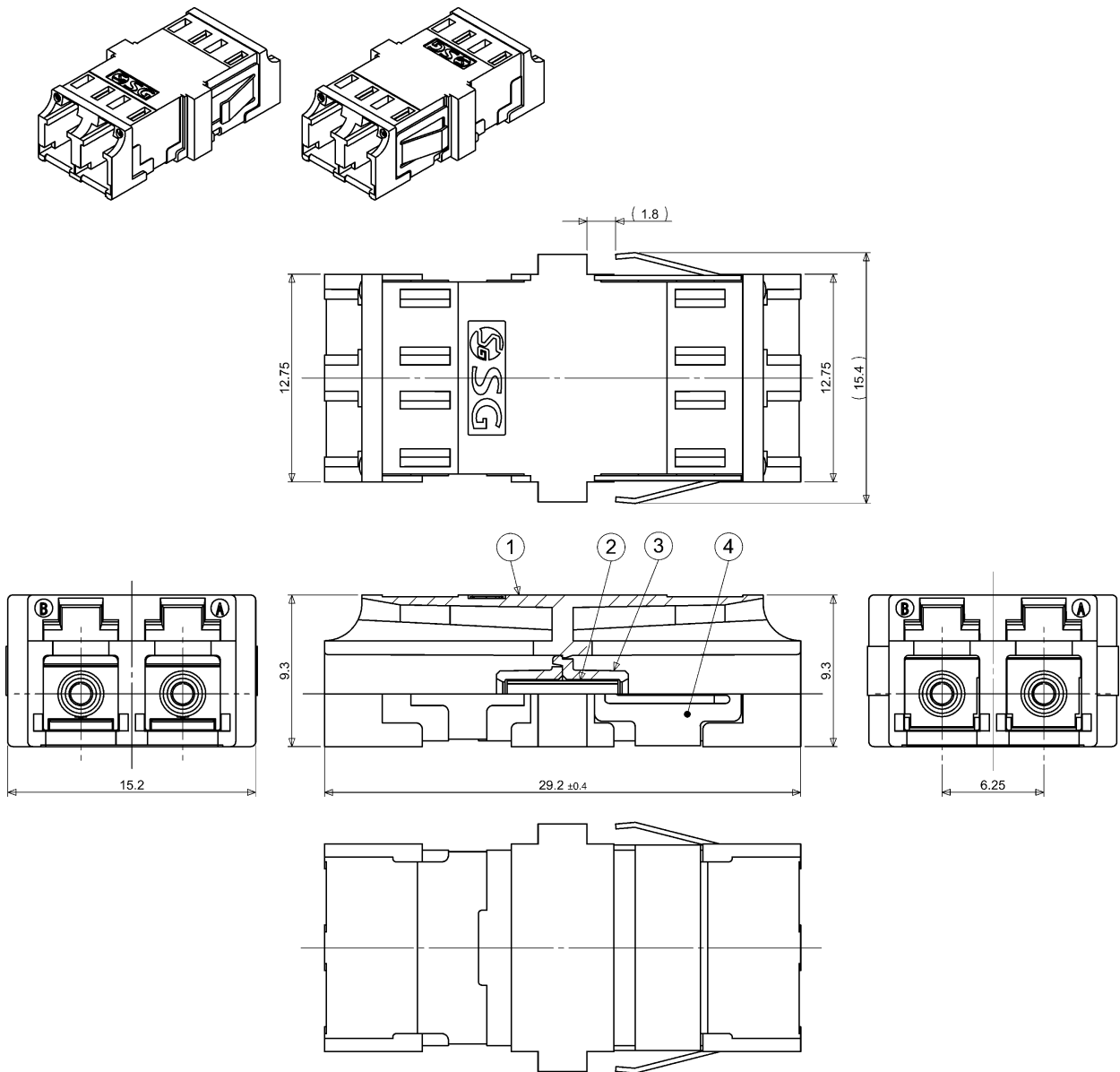
For storage of the product, keep in the packing bag and keep away from corrosive gas, high-temperature and humidity, extreme-low temperature and direct sunlight.

6.2 Precautions for Use

Contamination, oil, sweat and others debris on the inside of the slit sleeve may influence the performance of the product. If contamination is on the inside of the slit sleeve, clean the inside before connecting.

6.3 Disposal

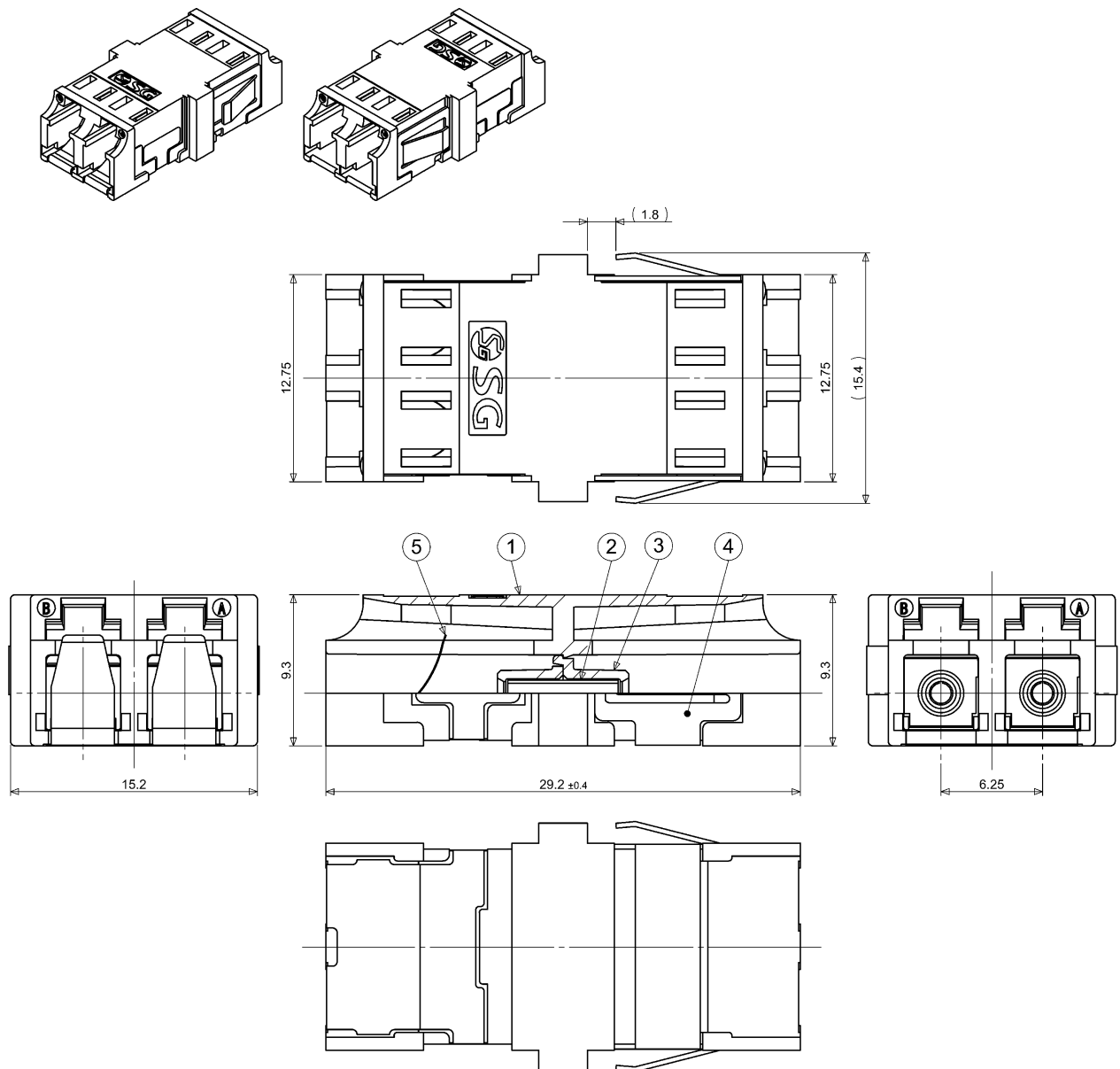
When discarding this product, please follow the regulations of your own country.



Note: This drawing does not include the cap.

Unit: mm

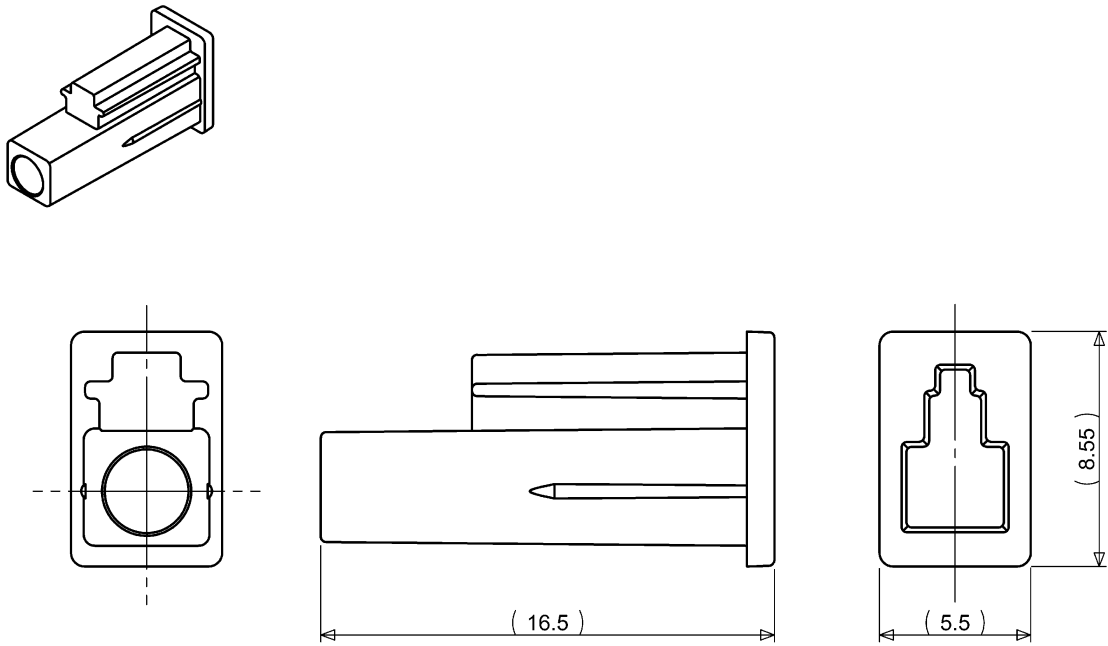
Figure 2-1 SLCFP-2A4 Series (Standard) Adaptor



Note: This drawing does not include the cap.

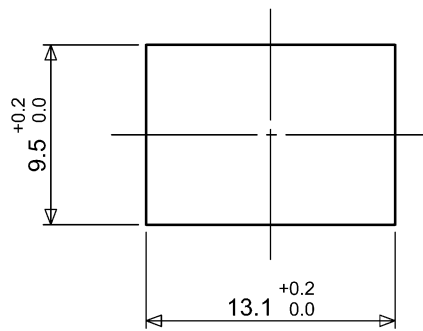
Unit: mm

Figure 2-2 SLCFP-2A4 Series (With Shutter) Adaptor



Unit: mm

Figure 3 ©Cap



t = 1.6

Unit: mm

Figure 4 Cut-hole Dimensions for Reference