

SLCFP-4A1 Series
SLCFP-4A4 Series
LC QUADPLEX ADAPTOR

TECHNICAL SPECIFICATIONS



SEIKOH GIKEN Co.,Ltd.

296-1, MATSUHIDAI, MATSUDO-SHI,
CHIBA, 270-2214 JAPAN

TEL: +81-47-388-6111 FAX: +81-47-388-4477

SLCFP-4A1 Series, SLCFP-4A4 Series LC QUADPLEX ADAPTOR
TECHNICAL SPECIFICATIONS

S04-H058-01E December 2017
S04-H058-02E May 2022

This document consolidates the below listed technical specifications and is issued as their revision.

SLCFP-4A1 Series			SLCFP-4A4 Series		
S04-H038-04E	May	2017	S04-H040-03E	June	2017

Copyright © 2007 - 2022 by **SEIKOH GIKEN Co.,Ltd.**
All right reserved.

The information contained herein shall not be reproduced or disclosed to any third party without the express written consent of SEIKOH GIKEN Co., Ltd. The specifications and materials contained herein are subject to change without notice.

Please address any questions, comments, and suggestions to:

SEIKOH GIKEN USA, Inc.

4465 Commerce Drive, Suite 103
Buford, GA 30518 U.S.A.
TEL: +1-770-279-6602
FAX: +1-770-279-8839

SEIKOH GIKEN Europe GmbH

Siemensstrasse 9
D-63263 Neu-Isenburg, Germany
TEL: +49-6102-297-701
FAX: +49-6102-297-750

SEIKOH GIKEN Hangzhou Co.,Ltd.

526 Binkang Road Binjiang District, Hangzhou,
Zhejiang, China 310052, P.R. China
TEL: +86-571-8777-4098
FAX: +86-571-8777-4099

TABLE OF CONTENTS

Section	Page
1 SCOPE	1
2 PART NUMBER	1
3 GENERAL SPECIFICATIONS.....	2
3.1 Parts and Materials	2
3.2 Physical Dimensions	2
3.3 General Tolerances	3
3.4 Insertion Loss.....	3
3.5 Appearance.....	4
4 PACKING	4
5 IDENTIFICATION	4
6 HANDLING AND CARE	4
6.1 Conditions of Storage	4
6.2 Precautions for Use	4
6.3 Disposal	4

Table

Table 1 Part Number	1
Table 2 SLCFP-4A1 Series Parts and Materials	2
Table 3 SLCFP-4A4 Series Parts and Materials	2
Table 4 General Tolerance (ISO 2768-m)	3
Table 5 Insertion Loss and Measurement Conditions	3

Figure

Figure 1 Insertion Loss Measurement System	3
Figure 2 SLCFP-4A1 Series Adaptor (Long Flange Type)	5
Figure 3 SLCFP-4A4 Series Adaptor (Short Flange Type).....	6
Figure 4 ⑤ Cap	7
Figure 5 Cut-hole Dimensions for Reference (Long Flange Type)	7
Figure 6 Cut-hole Dimensions for Reference (Short Flange Type)	7

BLANK PAGE

1 SCOPE

These specifications apply to the SLCFP-4A1 and SLCFP-4A4 series LC quadplex adaptors supplied by SEIKOH GIKEN Co., Ltd.

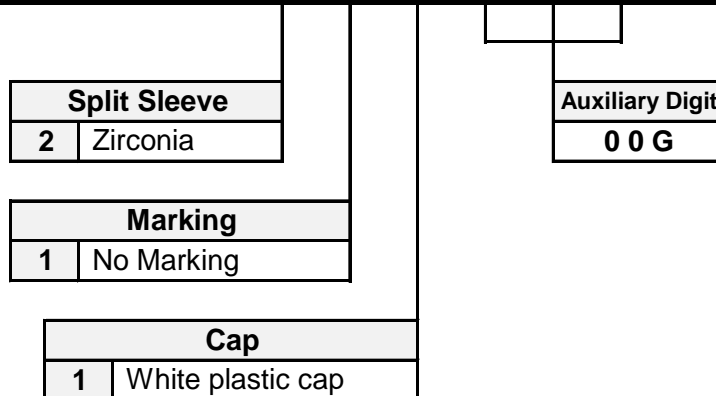
2 PART NUMBER

Part number of the adaptor is shown in Table 1.

Table 1 Part Number

SLCFP-4A1	Long flange, Blue
SLCFP-4AN1	Long flange, Green, for angled-PC
SLCFP-4AB1	Long flange, Beige
SLCFP-4AQ1	Long flange, Aqua
SLCFP-4AM1	Long flange, Heather violet
SLCFP-4AL1	Long flange, Lime green
SLCFP-4A4	Short flange, Blue
SLCFP-4AN4	Short flange, Green, for angled-PC
SLCFP-4AB4	Short flange, Beige
SLCFP-4AQ4	Short flange, Aqua
SLCFP-4AM4	Short flange, Heather violet
SLCFP-4AL4	Short flange, Lime green

MODEL Number	TYPE Number					
SLCFP-4A1	2	1	1	0	0	G



Please contact us for availability of other specifications.

3 GENERAL SPECIFICATIONS

3.1 Parts and Materials

Parts and materials of the adaptor are shown in Table 2 and Table 3.

Table 2 SLCFP-4A1 Series Parts and Materials

Item	Part Name	Qty	Material	Notes
①	Housing A	1	PEI	Flammability UL94 V-0
②	Housing B	1	PEI	Flammability UL94 V-0
③	Split sleeve	4	Zirconia ceramics	-
④	Cap	8	PP	Flammability UL94 V-0

Note: Item on Table 2 complies with the item reference number on the accompanying drawings.

Table 3 SLCFP-4A4 Series Parts and Materials

Item	Part Name	Qty	Material	Notes
①	Housing	2	PEI	Flammability UL94 V-0
②	Plate	1	Stainless steel	-
③	Split sleeve	4	Zirconia ceramics	-
④	Cap	8	PP	Flammability UL94 V-0

Note: Item on Table 3 complies with the item reference number on the accompanying drawings.

3.2 Physical Dimensions

Figure 2 shows the SLCFP-4A1 series adaptor.

Figure 3 shows the SLCFP-4A4 series adaptor.

Figure 4 shows the cap dimensions.

Figure 5 shows the cut-hole dimensions for reference.

- In accordance with JIS C 5964-20 Type connectors (Type LC)
- In accordance with IEC 61754-20 Type LC connector family.

3.3 General Tolerances

Permissible deviation in dimensions without tolerance indication is in accordance with ISO 2768-m (JIS B 0405-m), as shown in Table 3.

Table 4 General Tolerance (ISO 2768-m)

Basic size step [mm]		Permissible deviation [mm]
Over	Under	
0.5	3	±0.1
3	6	±0.1
6	30	±0.2
30	120	±0.3

3.4 Insertion Loss

Insertion loss of the adaptor and measurement conditions are shown in Table 4. Figure 1 shows the measurement system.

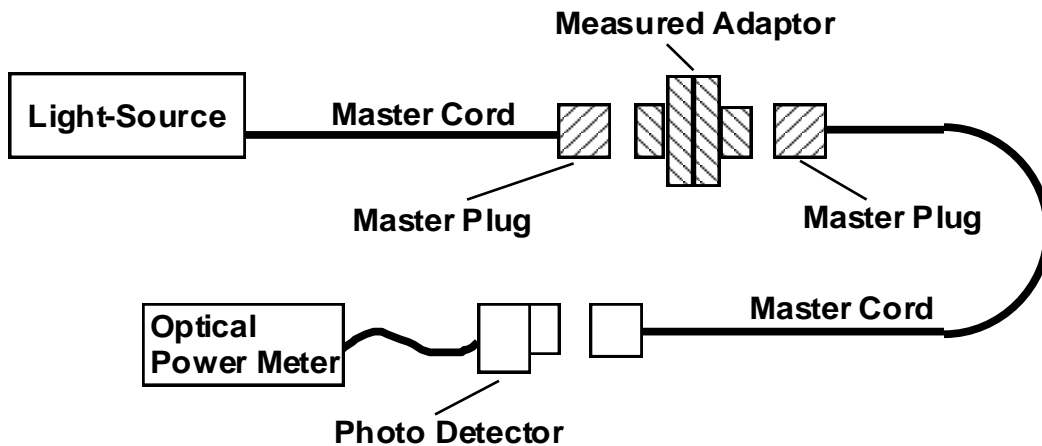


Figure 1 Insertion Loss Measurement System

Table 5 Insertion Loss and Measurement Conditions

Part Number		SLCFP-4A1, SLCFP-4A4 SLCFP-4AB1, SLCFP-4AB4, SLCFP-4AQ1, SLCFP-4AQ4, SLCFP-4AM1, SLCFP-4AM4	SLCFP-4AN1 SLCFP-4AN4
Insertion Loss		0.2 dB or less	
Conditions	Light Source	LD	
	Wave Length	1.31 μm	
	Applicable Fiber	Single mode	
	Master Cord Type	PC, R20 mm	Angle-PC

3.5 Appearance

There should be no burr or scratches that affect the product.

4 PACKING

The product is packed to prevent damage during shipment.

5 IDENTIFICATION

Identification label should indicate the part number and the lot number of the product(s) and should be permanently attached to the packing bag.

6 HANDLING AND CARE

6.1 Conditions of Storage

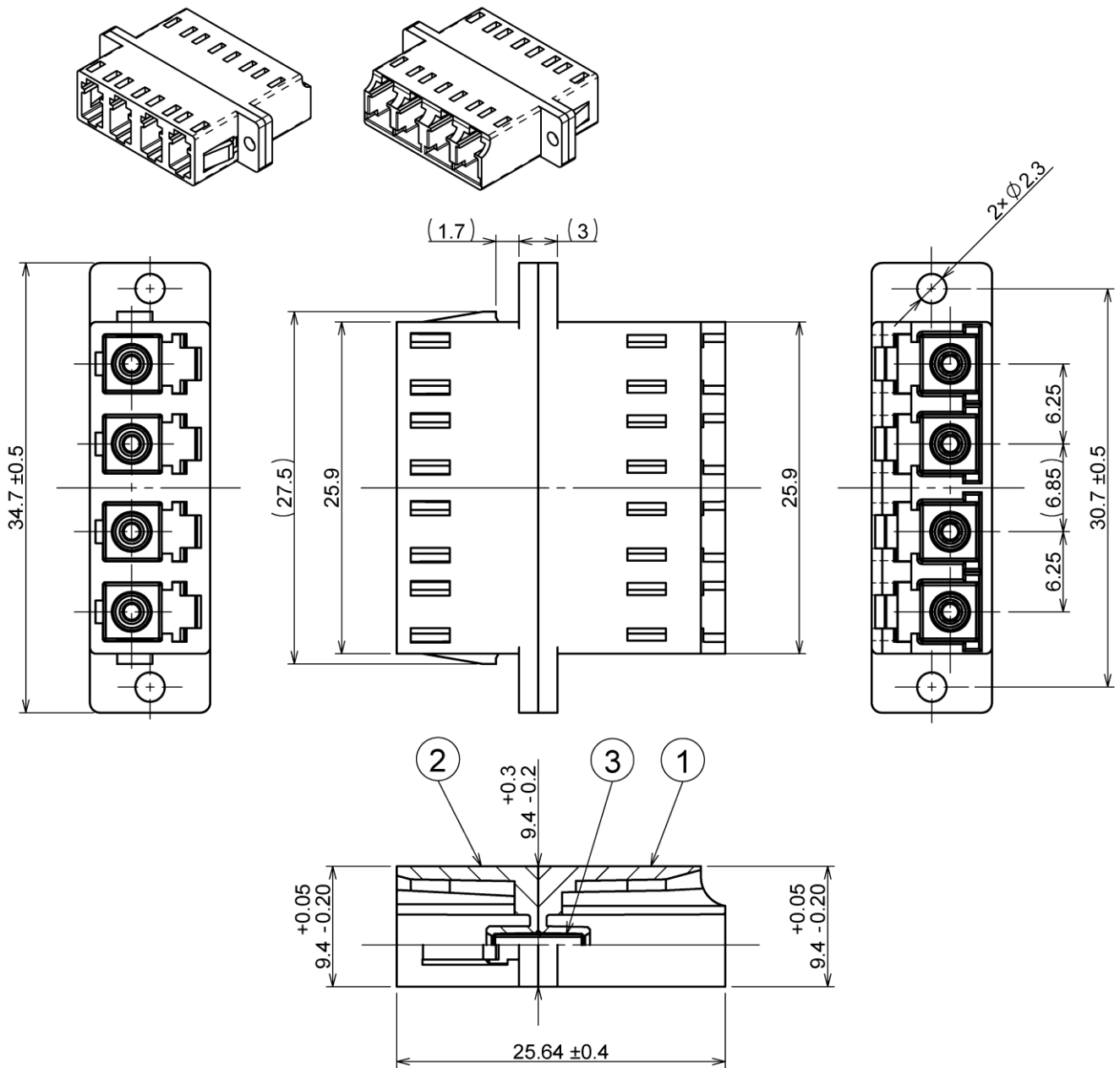
For storage of the product, keep in the packing bag and keep away from corrosive gas, high-temperature and humidity, extreme-low temperature and direct sunlight.

6.2 Precautions for Use

Contamination, oil, sweat and others debris on the ferrule end face may influence the performance of the product. If contamination is on the ferrule end face, wipe the end face with the end face cleaner.

6.3 Disposal

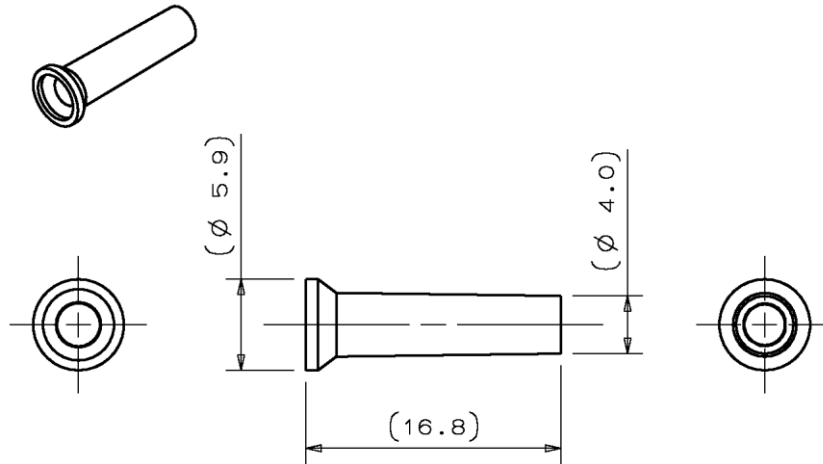
When discarding this product, please follow the regulations of your own country.



Note: This drawing does not include the cap.

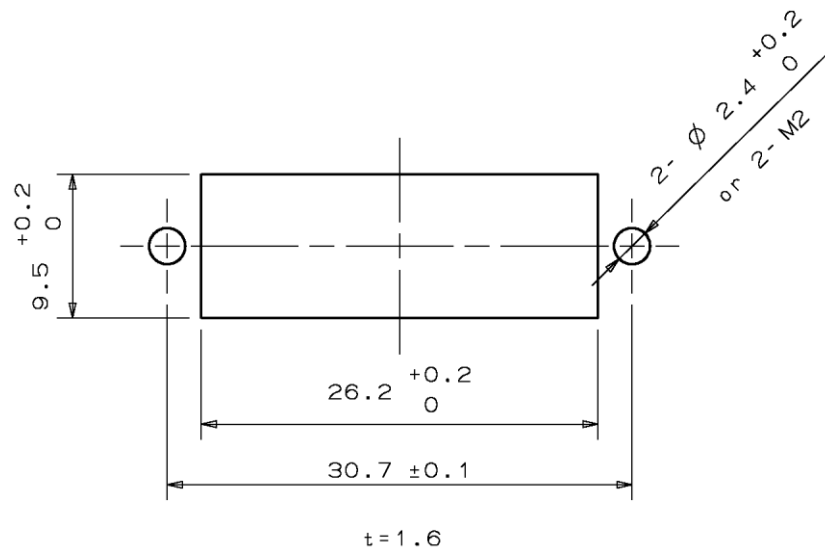
Unit: mm

Figure 2 SLCFP-4A1 Series Adaptor (Long Flange Type)



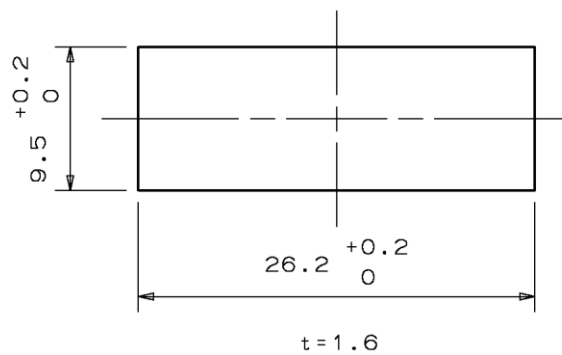
Unit: mm

Figure 4 ⑤ Cap



Unit: mm

Figure 5 Cut-hole Dimensions for Reference (Long Flange Type)



Unit: mm

Figure 6 Cut-hole Dimensions for Reference (Short Flange Type)