

SMPO-1A2 Series

MPO ADAPTOR

- Short flange type -

TECHNICAL SPECIFICATIONS



SEIKOH GIKEN Co.,Ltd.

296-1, MATSUHIDAI, MATSUDO-SHI,
CHIBA, 270-2214 JAPAN

E-mail: sales.div@seikoh-giken.co.jp

TEL: +81-47-388-6111 FAX: +81-47-388-4477

SMPO-1A2 Series MPO ADAPTOR – Short flange type -
TECHNICAL SPECIFICATIONS

S04-H056-01E	September	2016
S04-H056-02E	September	2017
S04-H056-03E	October	2017
S04-H056-04E	July	2023

Copyright © 2016 - 2023 by **SEIKOH GIKEN Co.,Ltd.**
All right reserved.

The information contained herein shall not be reproduced or disclosed to any third party without the express written consent of SEIKOH GIKEN Co., Ltd. The specifications and materials contained herein are subject to change without notice.

Please address any questions, comments, and suggestions to:

SEIKOH GIKEN USA, Inc.

4465 Commerce Drive, Suite 103,
Buford, GA 30518. U.S.A
E-mail: sales@sg-usa.com
TEL: +1-770-279-6602
FAX: +1-770-279-8839

SEIKOH GIKEN Europe GmbH

Siemensstrasse 9,
D-63263 Neu-Isenburg, Germany
E-mail: info@sg-euro.de
TEL: +49-6102-297-700
FAX: +49-6102-297-750

SEIKOH GIKEN Hangzhou Co.,Ltd.

526 Binkang Road Binjiang District, Hangzhou,
Zhejiang, China 310052, P.R. China
E-mail: sales@sg-h.cn
TEL: +86-571-8777-4098
FAX: +86-571-8777-4099

TABLE OF CONTENTS

Section	Page
1 SCOPE	1
2 PART NUMBER	1
3 GENERAL SPECIFICATIONS.....	2
3.1 Parts and Materials	2
3.2 Physical Dimensions	2
3.3 General Tolerances.....	2
3.4 Appearance	3
4 PACKING	3
5 IDENTIFICATION	3
6 HANDLING AND CARE	3
6.1 Conditions of Storage.....	3
6.2 Precautions for Use.....	3
6.3 Disposal	3
7 REFERENCE INFORMATION	3

Table

Table 1 Part Number	1
Table 2 Parts and Materials	2
Table 3 General Tolerance (ISO 2768-m).....	2

Figure

Figure 1-1 SMPO-1A2 Series Adaptor (Standard)	4
Figure 1-2 SMPO-1A2 Series Adaptor (with Shutter).....	5
Figure 2 © Cap.....	6
Figure 3 Panel Cutout for Reference.....	6

BLANK PAGE

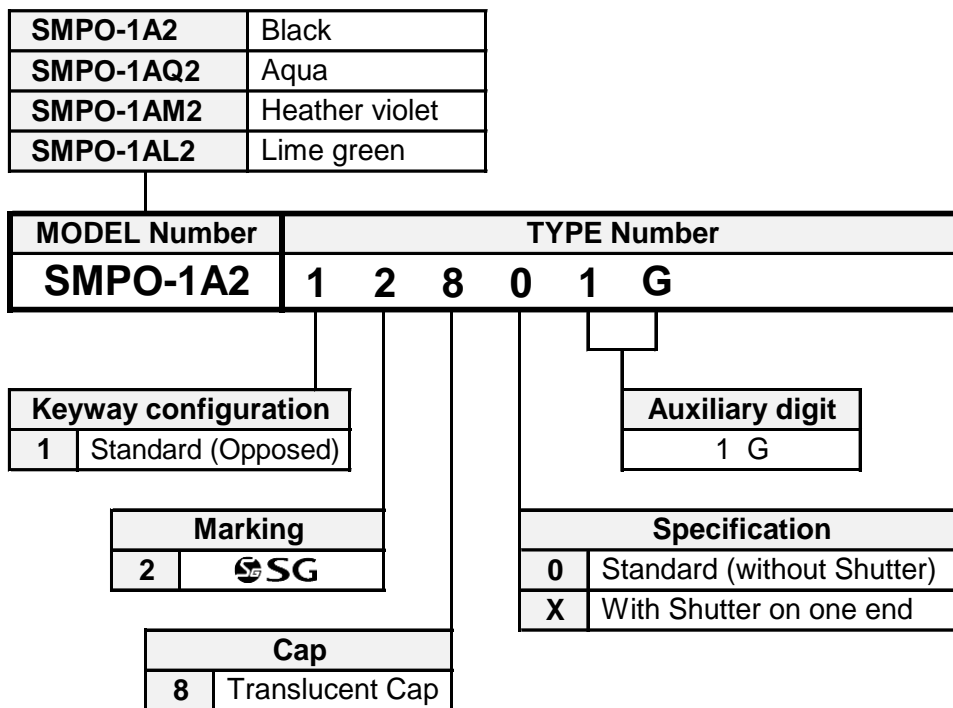
1 SCOPE

These specifications apply to the SMPO-1A2 series MPO adaptor – short flange type - supplied by SEIKOH GIKEN Co., Ltd.

2 PART NUMBER

Part number of the housing is shown in Table 1.

Table 1 Part Number



Please contact us for availability of other specifications.

3 GENERAL SPECIFICATIONS

3.1 Parts and Materials

Parts and materials are shown in Table 2.

Table 2 Parts and Materials

Item	Part Name	Qty	Material	Notes
①	Adaptor housing	1	PBT-GF	SMPO-1A2: Black SMPO-1AQ2: Aqua SMPO-1AM2: Heather violet SMPO-1AL2: Lime green Flammability UL94 V-0
②	Adaptor latch	2	PA9T-GF	Black, Flammability UL94 V-0
③	Plate	1	Stainless steel	-
④	Base	1	Stainless steel	Black plating
⑤	Shutter	1	Stainless steel	-
⑥	Cap	2	PC	Translucent, Flammability UL94 V-0

Note: Item on Table 2 complies with the item reference number on the accompanying drawings.

3.2 Physical Dimensions

Figure 1-1, 1-2 show the SMPO-1A2 series adaptor.

Figure 2 shows the dimensions of the cap.

- Compatible with IEC 61754-7-1 Type MPO connector family – one fibre row

3.3 General Tolerances

Permissible deviation in dimensions without tolerance indication is in accordance with ISO 2768-m (JIS B 0405-m), as shown in Table 3.

Table 3 General Tolerance (ISO 2768-m)

Basic size step [mm]		Permissible deviation [mm]
Over	Under	
0.5	3	±0.1
3	6	±0.1
6	30	±0.2
30	120	±0.3

3.4 Appearance

There should be no burr, peeling of plating or scratches that affect the product.

4 PACKING

The product is packed to prevent damage during shipment.

5 IDENTIFICATION

Identification label should indicate the part number and the lot number of the product(s) and should be permanently attached to the packing bag.

6 HANDLING AND CARE

6.1 Conditions of Storage

For storage of the product, keep in the packing bag and keep away from corrosive gas, high-temperature and humidity, extreme-low temperature and direct sunlight.

6.2 Precautions for Use

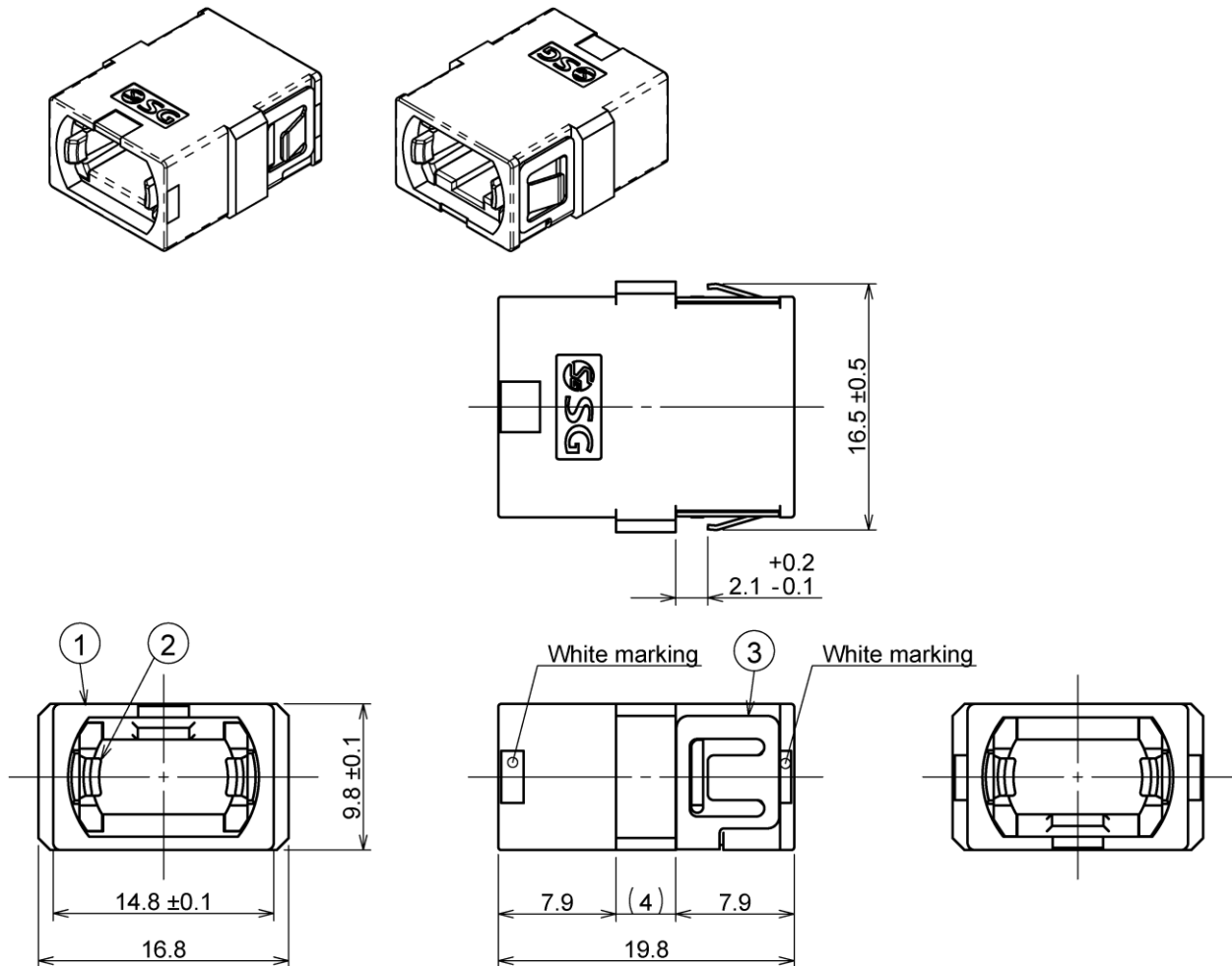
Contamination, oil, sweat and others debris on the ferrule end face may influence the performance of the product. If contamination is on the ferrule end face, wipe the end face with the end face cleaner.

6.3 Disposal

When discarding this product, please follow the regulations of your own country.

7 REFERENCE INFORMATION

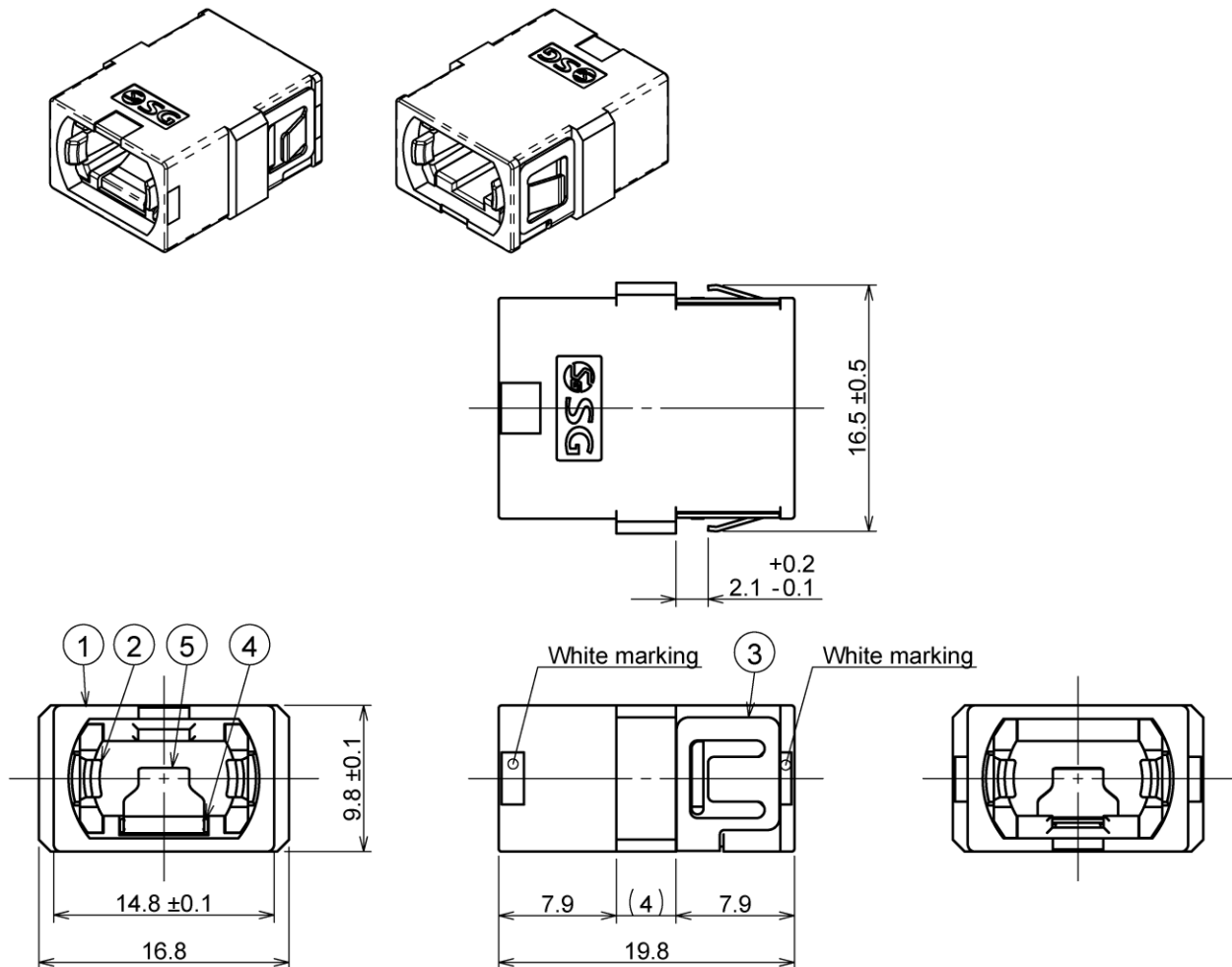
Please contact us for information in case that total optical power from optical fibers emitted into the adaptor with shutter exceed 500 mW.



Note: This drawing does not include the cap.

Unit: mm

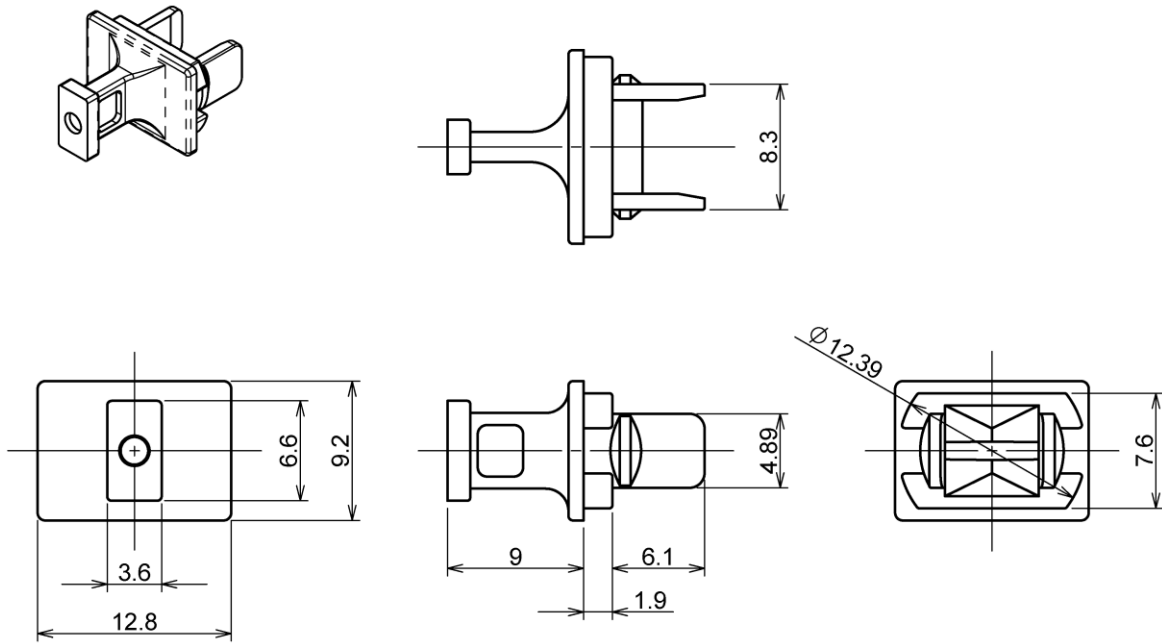
Figure 1-1 SMPO-1A2 Series Adaptor (Standard)



Note: This drawing does not include the cap.

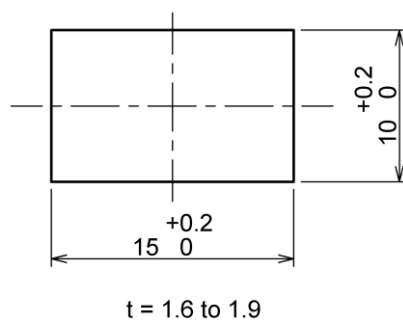
Unit: mm

Figure 1-2 SMPO-1A2 Series Adaptor (with Shutter)



Unit: mm

Figure 2 ⑥ Cap



Unit: mm

Figure 3 Panel Cutout for Reference