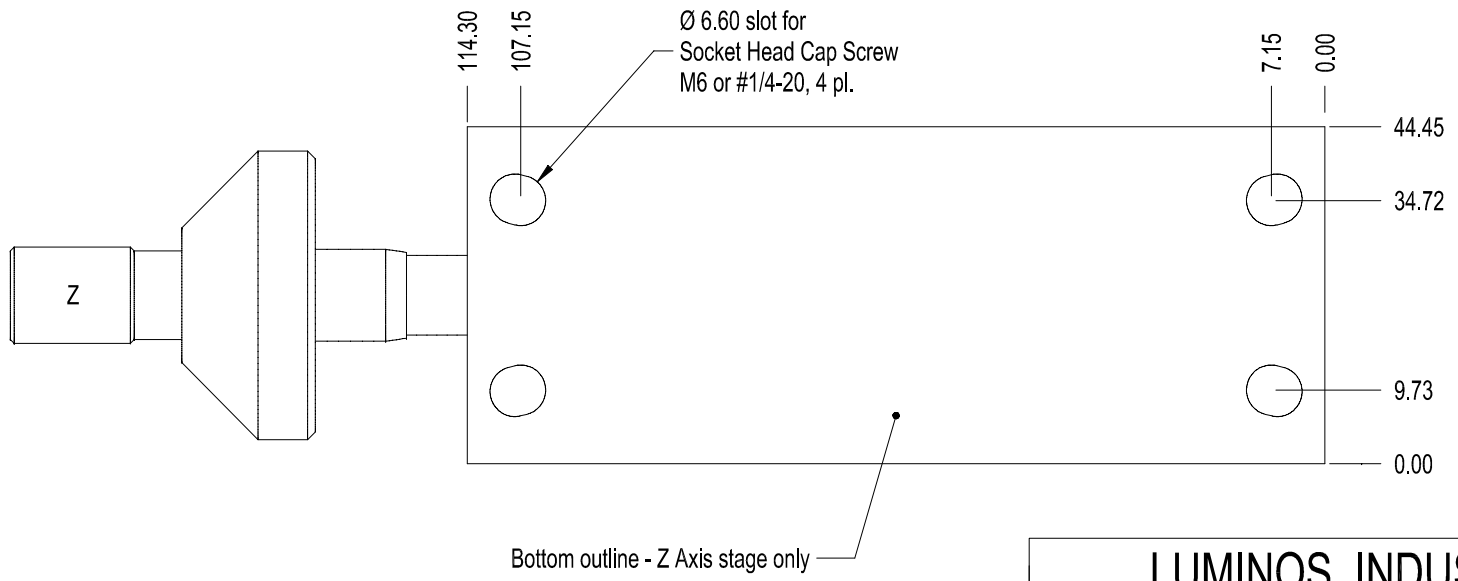
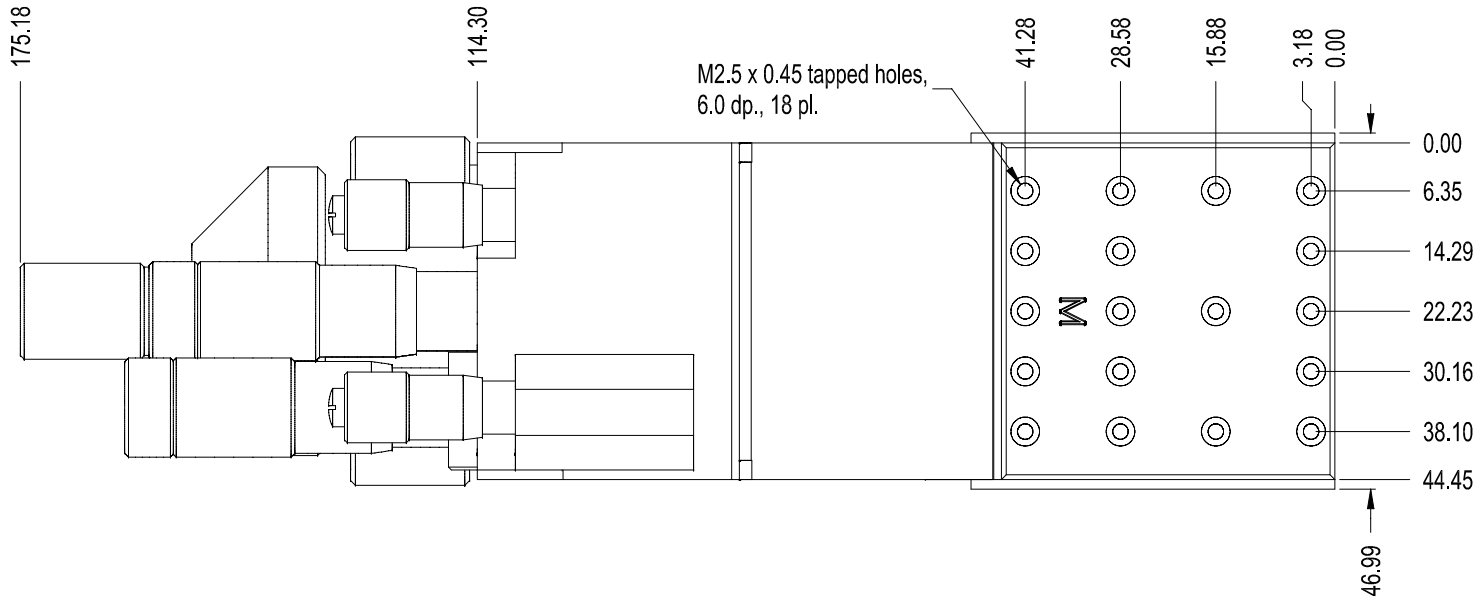


NOTE: Stage is shown in mid-position of travel  
 Z-Axis travel:  $\pm 6.35\text{mm}$  (0.250"), 10 $\mu\text{m}/\text{div}$ .  
 X&Y Axis travel:  $\pm 1.02\text{mm}$  (0.040") coarse adjustment,  
 $\pm 250\mu\text{m}$  (0.010") fine adjustment  
 Roll travel:  $\pm 1.5^\circ$ , 10 arc-sec/div., 6 turns/degree  
 Yaw & Pitch travel:  $\pm 1.5^\circ$ , 30 arc-sec/div., 4 turns/degree

M2.5 x 0.45  
 tapped holes,  
 5.0 dp., 8 pl.

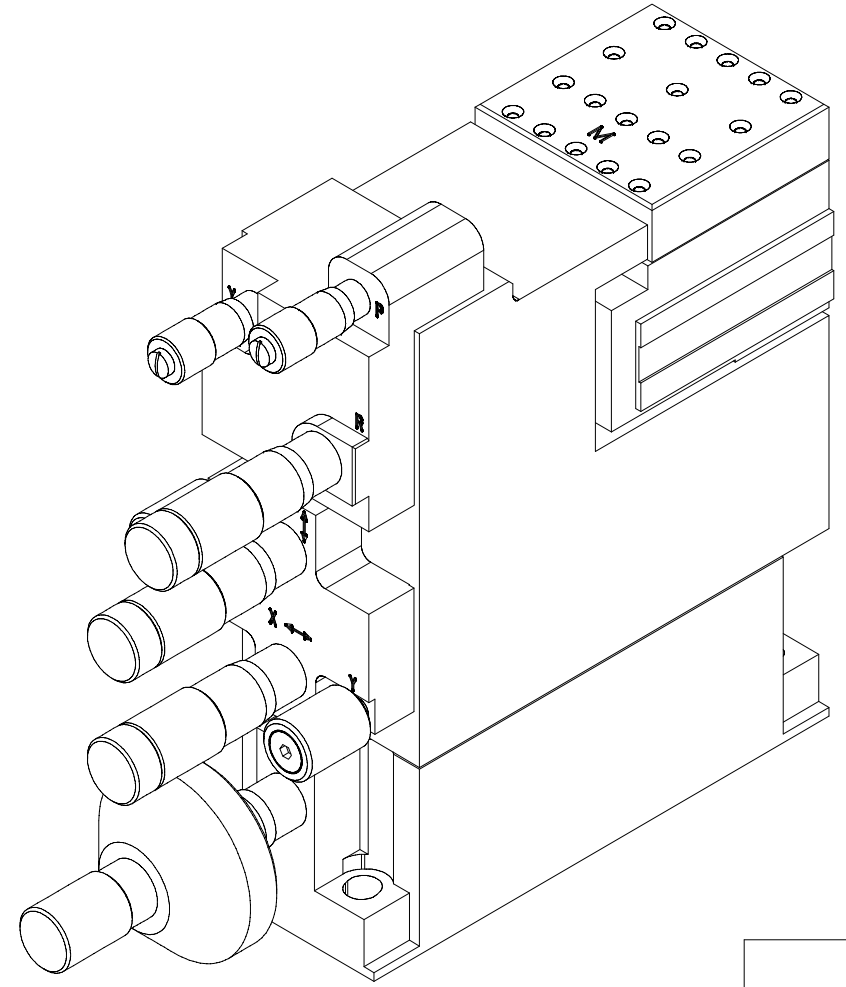
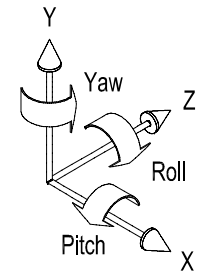
<b>LUMINOS INDUSTRIES LTD</b>				
I6000 XYZRYP Positioner (manual) - Front & End Outline				
SIZE A	VIEW	DWG NO.	PT048517A	REV A
SCALE 0.75	FILE	PT0485A.ckd	SHEET 1/3	

Material:	
Finish:	Tolerance:



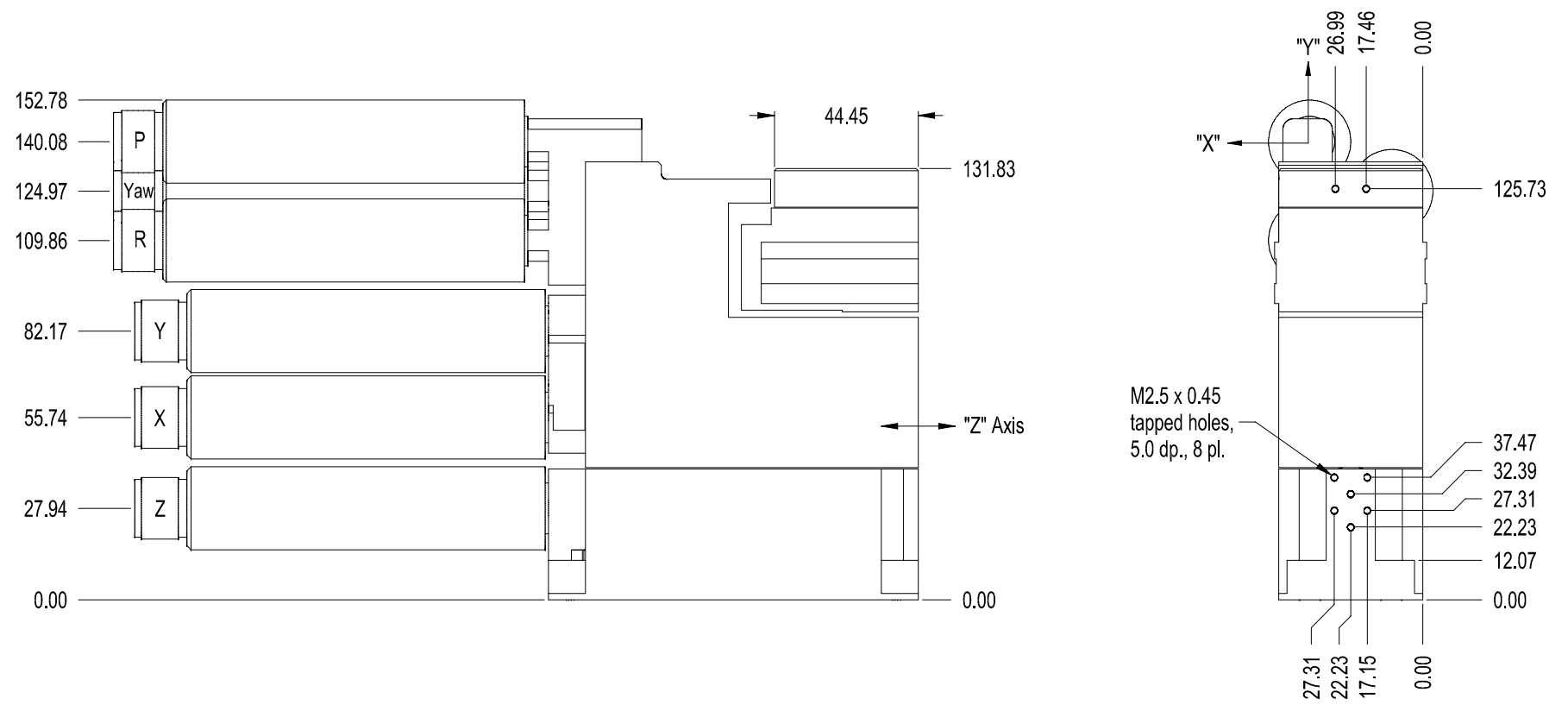
<b>LUMINOS INDUSTRIES LTD</b>				
16000 XYZRYP Positioner (manual) Outline Top & Bottom (Z-Axis stage only)				
SIZE A	VIEW	DWG NO.	PT048517A	REV A
SCALE 1	FILE	PT0485A.ckd	SHEET	2/3

Material: \_\_\_\_\_  
 Finish: \_\_\_\_\_ Tolerance: \_\_\_\_\_



<b>LUMINOS INDUSTRIES LTD</b>				
I6000 XYZRYP Positioner (manual) - Perspective View				
SIZE A	VIEW	DWG NO.	PT048517A	REV A
SCALE 0.75	FILE	PT0485A.ckd	SHEET 3/3	

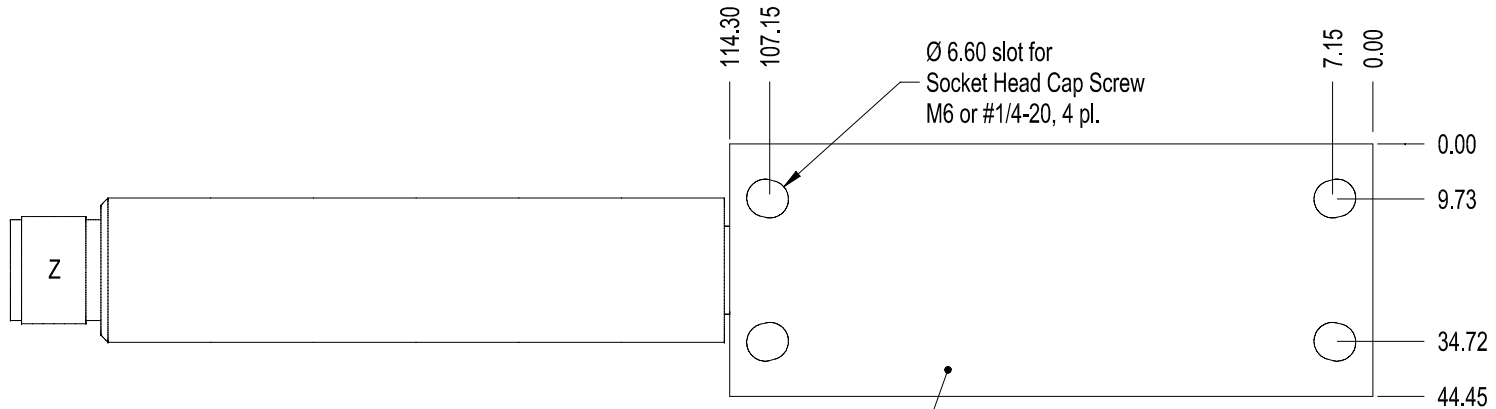
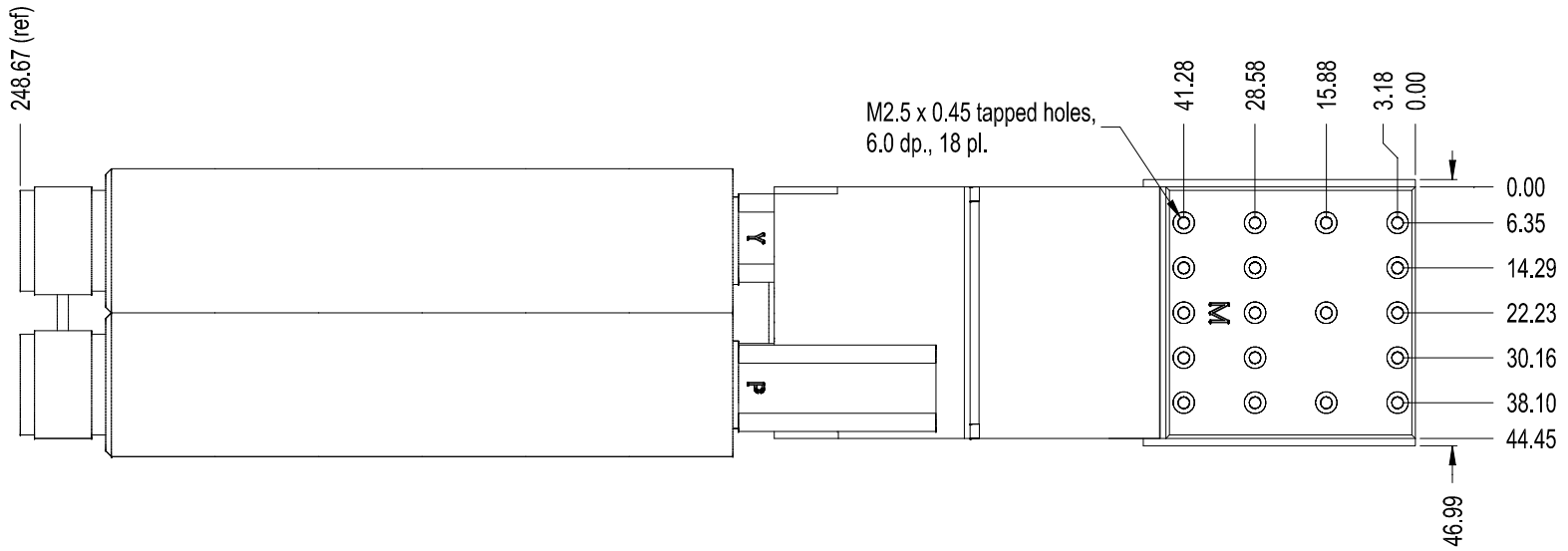
Material:	
Finish:	Tolerance:



NOTE: Stage is shown in mid-position of travel  
 Z-Axis travel:  $\pm 6.35\text{mm}$  (0.250")  
 X&Y Axis travel:  $\pm 1.02\text{mm}$  (0.040") coarse adjustment,  
 $\pm 250\mu\text{m}$  (0.010") fine adjustment  
 Roll, Yaw & Pitch travel:  $\pm 1.5^\circ$  each axis

<b>LUMINOS INDUSTRIES LTD</b>				
I6000 XYZRYP Positioner (stepper motor) - Front & End Outline				
SIZE A	VIEW	DWG NO.	PT048518A	REV A
SCALE 0.5	FILE	PT0485A.ckd	SHEET 1/3	

Material:	
Finish:	Tolerance:



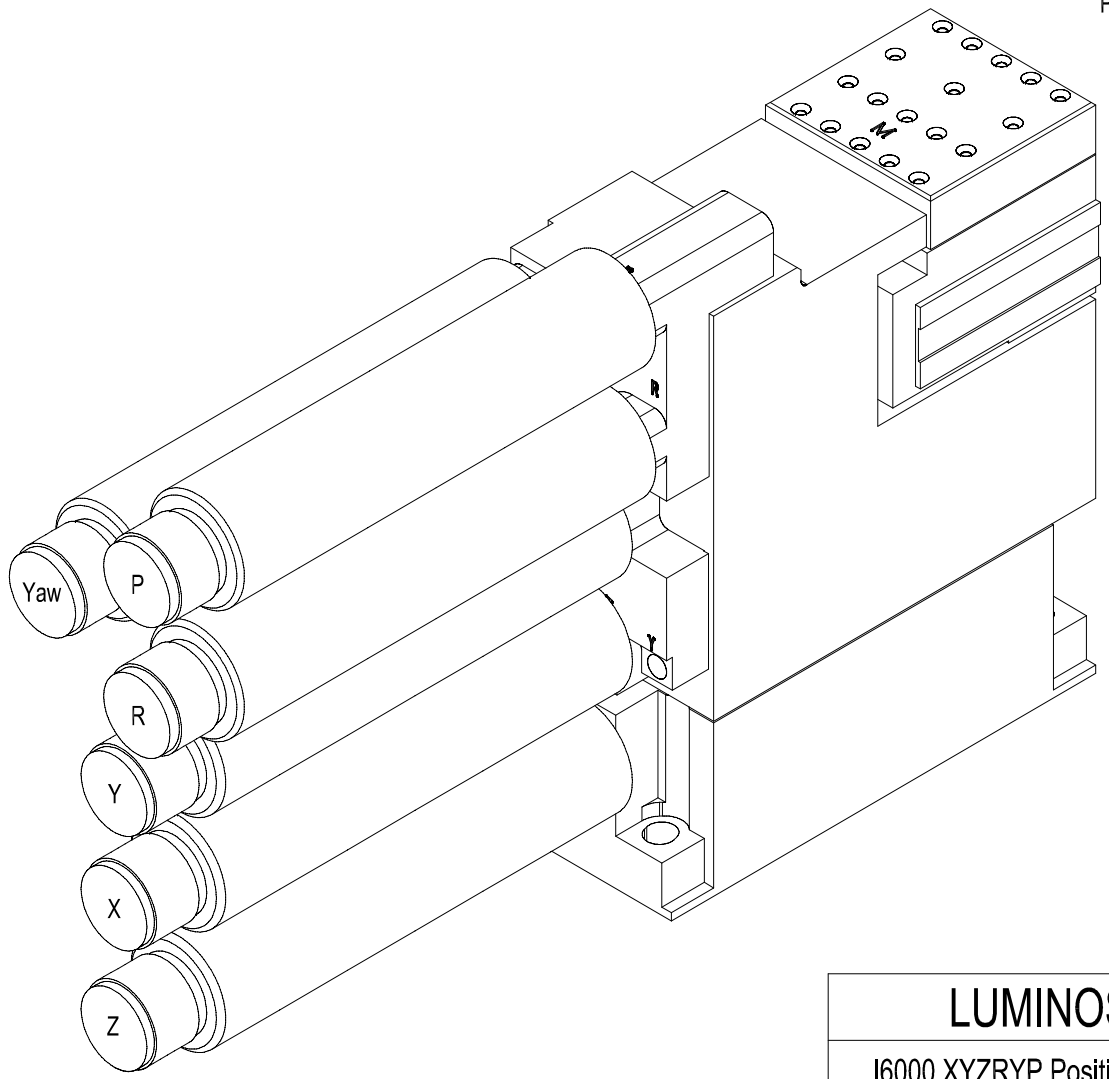
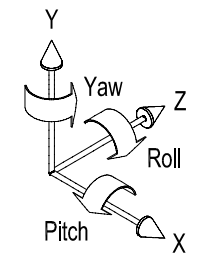
Bottom outline - Z Axis stage only

# LUMINOS INDUSTRIES LTD

I6000 XYZRYP Positioner (stepper motor)  
Outline Top & Bottom (Z-Axis stage only)

Material:  
Finish: Tolerance:

SIZE A	VIEW	DWG NO.	PT048518A	REV A
SCALE 0.75	FILE	PT0485A.ckd	SHEET 2/3	



<b>LUMINOS INDUSTRIES LTD</b>			
16000 XYZRYP Positioner (stepper motor) - Perspective View			
SIZE A	VIEW	DWG NO. PT048518A	REV A
SCALE 0.7	FILE PT0485A.ckd	SHEET 3/3	

Material:	
Finish:	Tolerance: