

SSC-FC-AN1 Series
FC/SC CONVERSION ADAPTOR
- for Angled-PC -

TECHNICAL SPECIFICATIONS



SEIKOH GIKEN Co.,Ltd.
Fiber Optic Products Division
296-1, MATSUHIDAI, MATSUDO-SHI,
CHIBA, 270-2214 JAPAN.
TEL: +81-47-388-6111 FAX: +81-47-388-4477

SSC-FC-AN1 Series FC/SC CONVERSION ADAPTOR – for Angled - PC –
TECHNICAL SPECIFICATIONS

S04-022-0	November	1996
S04-022-1	March	2001
S04-H034-01E	October	2006
S04-H034-02E	April	2009

Copyright © 1996 - 2009 by **SEIKOH GIKEN Co.,Ltd.**
All right reserved.

The information contained herein shall not be reproduced or disclosed to any third party without the express written consent of SEIKOH GIKEN Co., Ltd.
The specifications contained herein are subject to change without notice.

Please address any questions, comments and suggestions to:

SEIKOH GIKEN USA, Inc.

Headquarters

4405 International Blvd., Suite B109
Norcross, GA 30093 U.S.A.
TEL: +1-770-279-6602 FAX: +1-770-279-8839

Western Field Office

21250 Hawthorne Boulevard, Suite 700
Torrance, CA 90503
TEL: +1-310-792-7450 FAX: +1-310-792-7451

SEIKOH GIKEN Europe GmbH

Frankfurt Branch

Siemensstrasse 9
D-63263 Neu-Isenburg, Germany
TEL: +49-6102-297-701
FAX: +49-6102-297-750

SEIKOH GIKEN Hong Kong Co.,Ltd.

Concordia Plaza 21/F Rm2111,
1 Science Museum Road, Tsim Sha Tsui East,
Kowloon, Hong Kong.
TEL: +852-26206551 FAX: +852-26206525

TABLE OF CONTENTS

Section	Page
1 SCOPE	1
2 PART NUMBER	1
3 GENERAL SPECIFICATIONS	2
3.1 Physical Dimensions	2
3.2 Insertion Loss	3
3.3 Appearance	3
4 PACKING	3
5 IDENTIFICATION	3
6 HANDLING AND CARE	3
6.1 Conditions of Storage	3
6.2 Precautions of Use	3
6.3 Disposal	3

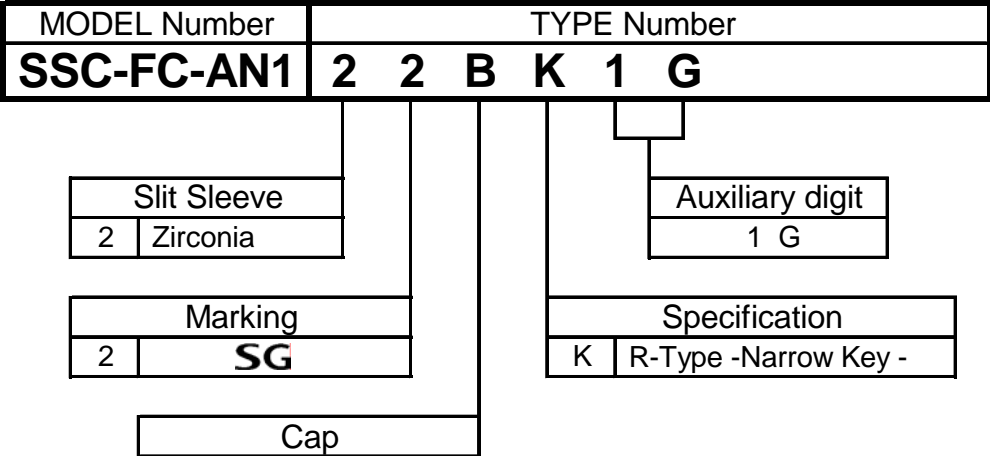
1 SCOPE

These specifications apply to the SSC-FC-AN1 series FC/SC Conversion adaptor – for Angled - PC -supplied by SEIKOH GIKEN Co., Ltd.

2 PART NUMBER

Part number of the housing is shown in Table 1.

Table 1 Part Number



Please contact us for other specifications.

3 GENERAL SPECIFICATIONS

3.1 Physical Dimensions

The product shall meet the specification in drawings.

- In accordance with IEC 61754-4 Type SC connector family and IEC 61754-13 Type FC-PC connector family.
- In accordance with JIS C 5973 F04 Type connectors and JIS C 5970 F01 Type connectors.

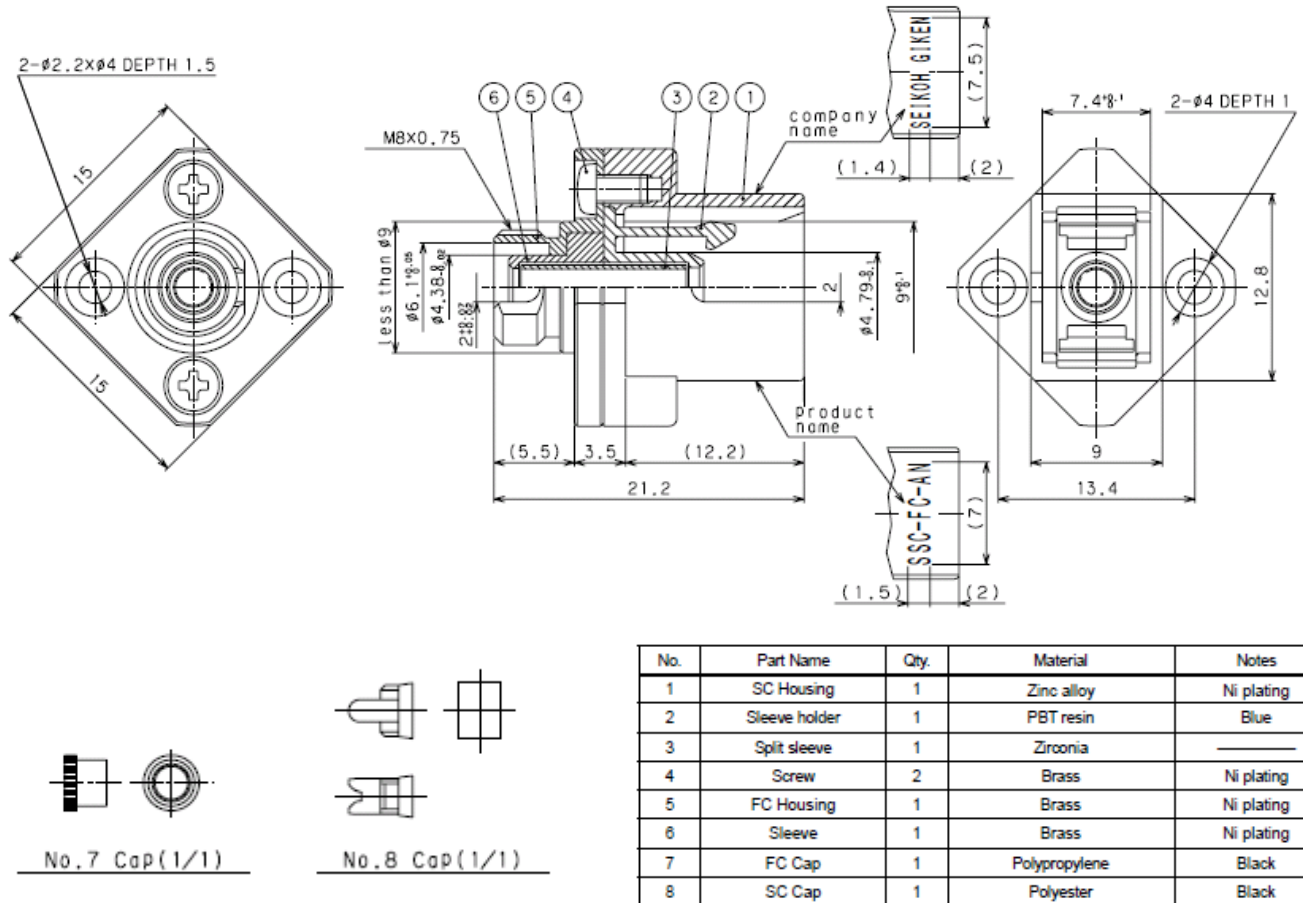


Fig. 1 Physical Dimensions

3.2 Insertion Loss

Insertion loss shall be less than 0.3dB by measurement method ; Fig . 2

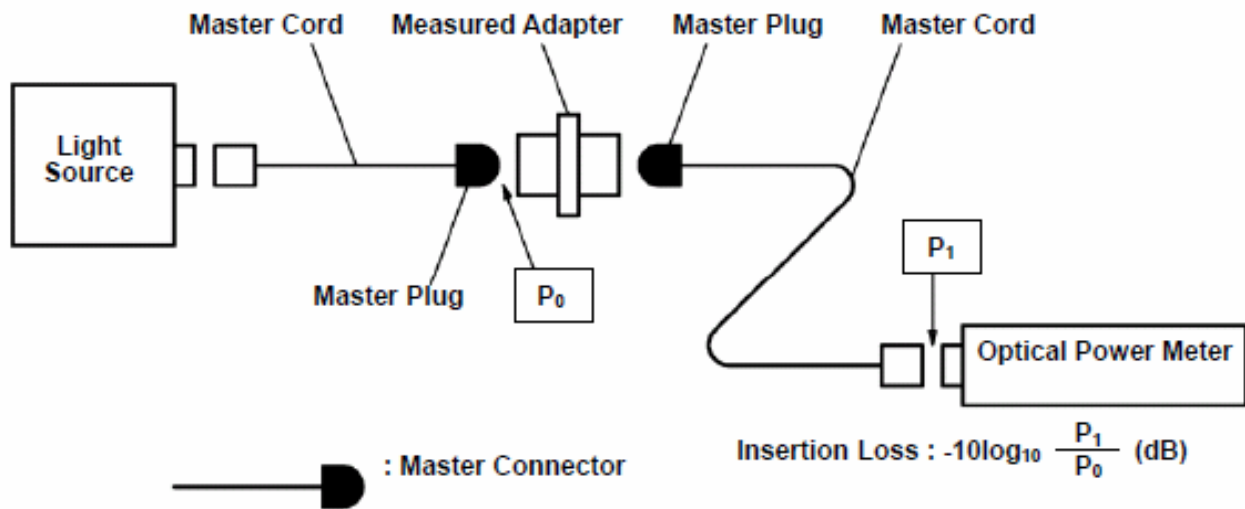


Fig. 2 Insertion Loss Measurement Systems

3.3 Appearance

There should be no burr, peeling of plating or scratches that affect the product.

4 PACKING

The product is packed to prevent damage during shipment.

5 IDENTIFICATION

Identification label should indicate the part number and lot number of the product(s) and should be permanently attached to the packing bag.

6 HANDLING AND CARE

6.1 Conditions of Storage

Keep the product in the packing bag.

6.2 Precautions for Use

Contamination, oil, sweat and others debris on the inside of the slit sleeve may influence the performance of the product. If contamination is on the inside of the slit sleeve, clean the inside before connecting.

6.3 Disposal

When discarding this product, please follow the regulations of your own country.