

SNA-6 Series

FC ADAPTOR

- Oval flange, for Angled-PC -

TECHNICAL SPECIFICATIONS



SEIKOH GIKEN Co.,Ltd.

296-1, MATSUHIDAI, MATSUDO-SHI,
CHIBA, 270-2214 JAPAN.

TEL: +81-47-388-6111 FAX: +81-47-388-4477

SNA-6 Series FC ADAPTOR – Oval flange, for Angled-PC –
TECHNICAL SPECIFICATIONS

S04-011-0	June	1995
S04-011-1	June	1997
S04-H027-01E	October	2006
S04-H027-02E	July	2007
S04-H027-03E	February	2010
S04-H027-04E	April	2010
S04-H027-05E	February	2021

Copyright © 1995 - 2021 by **SEIKOH GIKEN Co.,Ltd.**
All right reserved.

The information contained herein shall not be reproduced or disclosed to any third party without the express written consent of SEIKOH GIKEN Co., Ltd.
The specifications contained herein are subject to change without notice.

Please address any questions, comments and suggestions to:

SEIKOH GIKEN USA, Inc.

4405 International Blvd., Suite B109
Norcross, GA 30093 U.S.A.
TEL: +1-770-279-6602
FAX: +1-770-279-8839

SEIKOH GIKEN Europe GmbH

Siemensstrasse 9
D-63263 Neu-Isenburg, Germany
TEL: +49-6102-297-701
FAX: +49-6102-297-750

SEIKOH GIKEN Hangzhou Co.,Ltd.

526 Binkang Road Binjiang District, Hangzhou,
Zhejiang, China 310052, P.R. China
TEL: +86-571-8777-4098
FAX: +86-571-8777-4099

TABLE OF CONTENTS

Section.....	Page
1 SCOPE.....	1
2 PART NUMBER.....	1
3 GENERAL SPECIFICATIONS.....	2
3.1 Parts and Materials.....	2
3.2 Physical Dimensions.....	2
3.3 General Tolerances.....	2
3.4 Insertion Loss.....	3
3.5 Appearance.....	3
4 FEATURE.....	4
4.1 Mechanical Characteristics.....	4
4.2 Environmental Characteristics.....	4
5 PACKING.....	5
6 IDENTIFICATION.....	5
7 HANDLING AND CARE.....	5
7.1 Conditions of Storage.....	5
7.2 Precautions for Use.....	5
7.3 Disposal.....	5

- Table -

Table 1 Part Number.....	1
Table 2 Parts and Materials.....	2
Table 3 General Tolerance (ISO 2768-m).....	2
Table 4 Insertion Loss and Measurement Conditions.....	3
Table 5 Mechanical characteristics.....	4
Table 6 Environmental characteristics.....	4

- Figure -

Figure 1 Insertion Loss Measurement System.....	3
Figure 2 SNA-6 Series Adaptor (Narrow Key - R-type -).....	6
Figure 3 ④Cap.....	6

BLANK PAGE

1 SCOPE

These specifications apply to the SNA-6 series FC adaptor – Oval flange, for Angled-PC - supplied by SEIKOH GIKEN Co., Ltd.

2 PART NUMBER

Part number of the adaptor is shown in Table 1.

Table 1 Part Number

MODEL Number	TYPE Number									
SNA-6	2	1	4	K	0	G				
	<table border="1"> <tr><th>Slit Sleeve</th></tr> <tr><td>2 Zirconia</td></tr> </table>		Slit Sleeve	2 Zirconia			<table border="1"> <tr><th>Auxiliary Digit</th></tr> <tr><td>0 G</td></tr> </table>		Auxiliary Digit	0 G
Slit Sleeve										
2 Zirconia										
Auxiliary Digit										
0 G										
	<table border="1"> <tr><th>Marking</th></tr> <tr><td>1 No marking</td></tr> </table>		Marking	1 No marking			<table border="1"> <tr><th>Specification</th></tr> <tr><td>K Narrow key - R-type -</td></tr> </table>		Specification	K Narrow key - R-type -
Marking										
1 No marking										
Specification										
K Narrow key - R-type -										
	<table border="1"> <tr><th>Cap</th></tr> <tr><td>4 Green rubber cap</td></tr> </table>		Cap	4 Green rubber cap						
Cap										
4 Green rubber cap										

Please contact us for other specifications.

3 GENERAL SPECIFICATIONS

3.1 Parts and Materials

Parts and materials are shown in Table 2.

Table 2 Parts and Materials

No.	Part Name	Qty	Material	Notes
①	Slit sleeve	1	Zirconia ceramics	-
②	Housing	1	Brass	Nickel plating
③	Sleeve holder	1	Brass	Nickel plating
④	Cap	2	Silicone	Rubber cap, Green

Note: Item on Table 2 corresponds to the item reference number on Figure 2 to 3.

3.2 Physical Dimensions

Figure 2 shows the SNA-6 series adaptor.

Figure 3 shows the part dimensions.

- In accordance with IEC 61754-13 Type FC-PC connector family.
- In accordance with JIS C 5970 F01 Type connectors.

Note: Except the width of the key due to no FC Angled-PC specified by IEC.

3.3 General Tolerances

Permissible deviation in dimensions without tolerance indication is in accordance with ISO 2768-m (JIS B 0405-m), as shown in Table 3.

Table 3 General Tolerance (ISO 2768-m)

Basic size step [mm]		Permissible deviation [mm]
Over	Under	
0.5	3	±0.1
3	6	±0.1
6	30	±0.2
30	120	±0.3

3.4 Insertion Loss

Insertion loss of the adaptor and measurement conditions are shown in Table 4.
Figure 1 shows the measurement system.

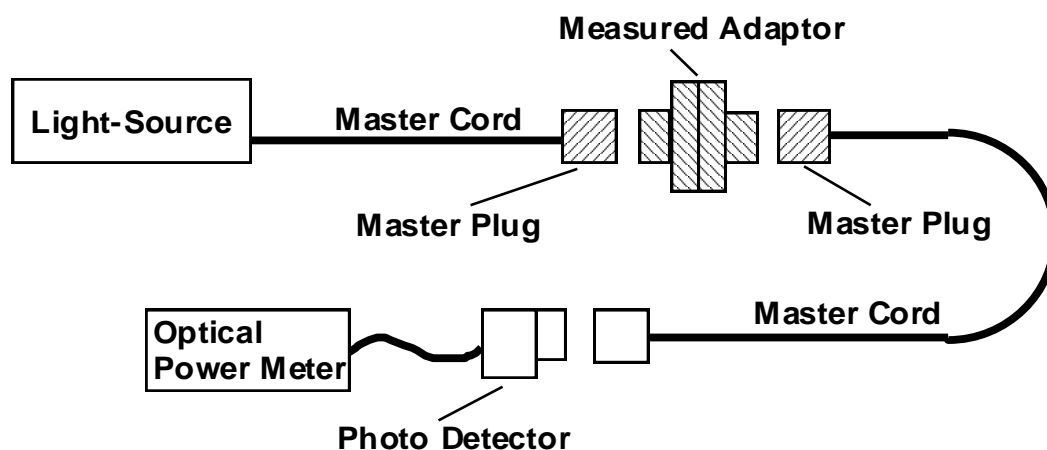


Figure 1 Insertion Loss Measurement System

Table 4 Insertion Loss and Measurement Conditions

Part Number		SNA-6 214K0G
Insertion Loss		0.2 dB or less
Conditions	Light Source	LD
	Wave Length	1.31 μm
	Applicable Fiber	Single mode
	Master Cord Type	Angled-PC

3.5 Appearance

There shall be no burrs or scratches that affect the product.

4 FEATURE

4.1 Mechanical Characteristics

Mechanical characteristics are shown in table 5.

Table 5 Mechanical characteristics

Test item	Conditions		Characteristics
Vibration	IEC 61300-2-1	Frequency: 10 to 55 Hz Amplitude: 1.5 mm p-p Direction: x, y, z axis Duration: 30 min / direction	Insertion loss <=0.5dB
Tensile strength of coupling mechanism	IEC 61300-2-6	Tensile load: 147N(15kgf)	
Ferrule withdrawal force	IEC 61300-3-33	Gauge : 2.499+/-0.0005mm	2.9 ~ 5.9N (0.3 ~ 0.6kgf)
Mating durability	IEC 61300-2-2	500 times	Insertion loss <=0.5dB

4.2 Environmental Characteristics

Environmental characteristics are shown in table 6.

Table 6 Environmental characteristics

Test item	Conditions		Characteristics
Change of temperature	IEC 61300-2-22	-40 to +85 °C, 10 cycles	Insertion loss <=0.5dB
Dry heat	IEC 61300-2-18	+85 °C, 240 hr	
Cold	IEC 61300-2-17	-40 °C, 240 hr	
Humidity / condensation cycling	Telcordia GR-326-CORE	-10 to +65 °C, 90 to 100 %RH, 14 cycles	

5 PACKING

The product is packed to prevent damage during shipment.

6 IDENTIFICATION

Identification label should indicate the part number and lot number of the product(s) and should be permanently attached to the packing bag.

7 HANDLING AND CARE

7.1 Conditions of Storage

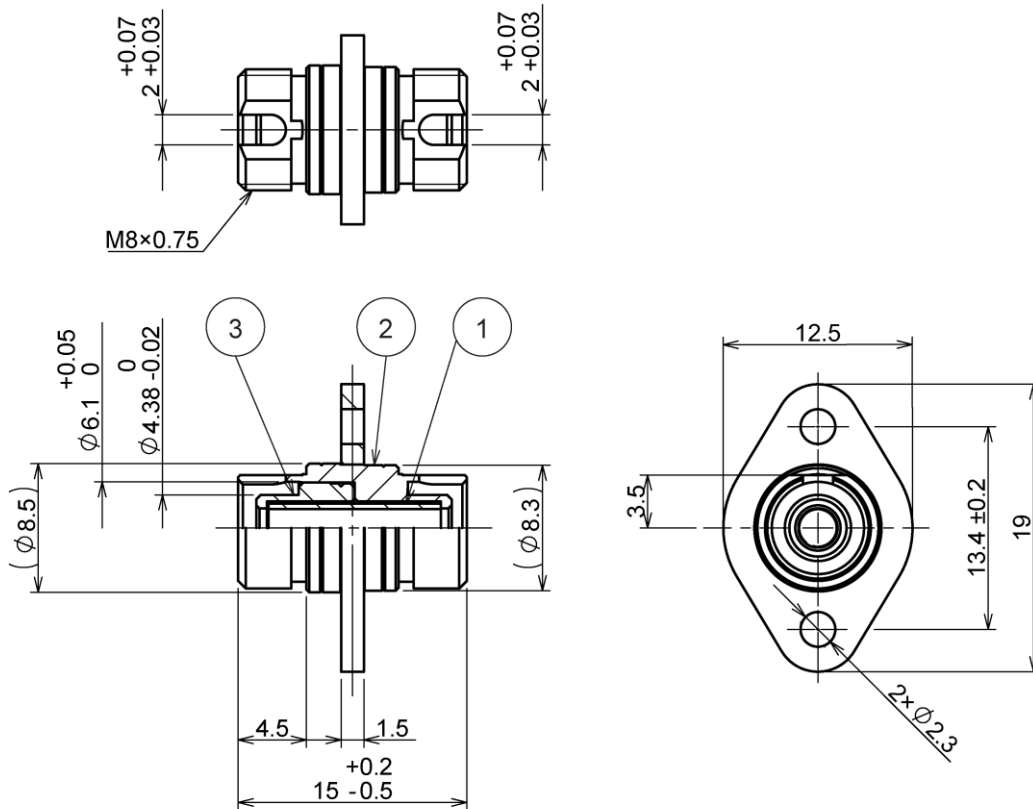
For storage of the product, keep in the packing bag and keep away from corrosive gas, high-temperature and humidity, extreme-low temperature and direct sunlight.

7.2 Precautions for Use

Contamination, oil, sweat and others debris on the inside of the slit sleeve may influence the performance of the product. If contamination is on the inside of the slit sleeve, clean the inside before connecting.

7.3 Disposal

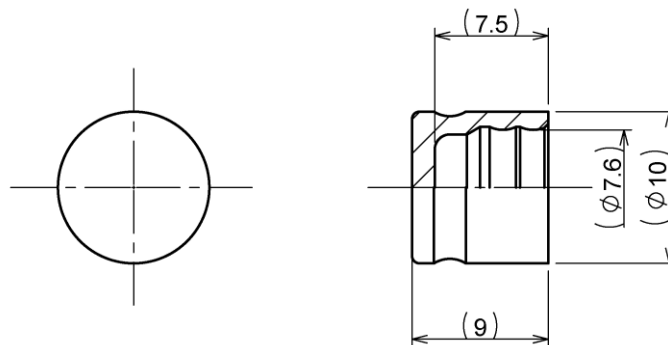
When discarding this product, please follow the regulations of your own country.



Note: This drawing does not include the cap

Unit: mm

Figure 2 SNA-6 Series Adaptor (Narrow Key - R-type -)



Unit: mm

Figure 3 ④Cap