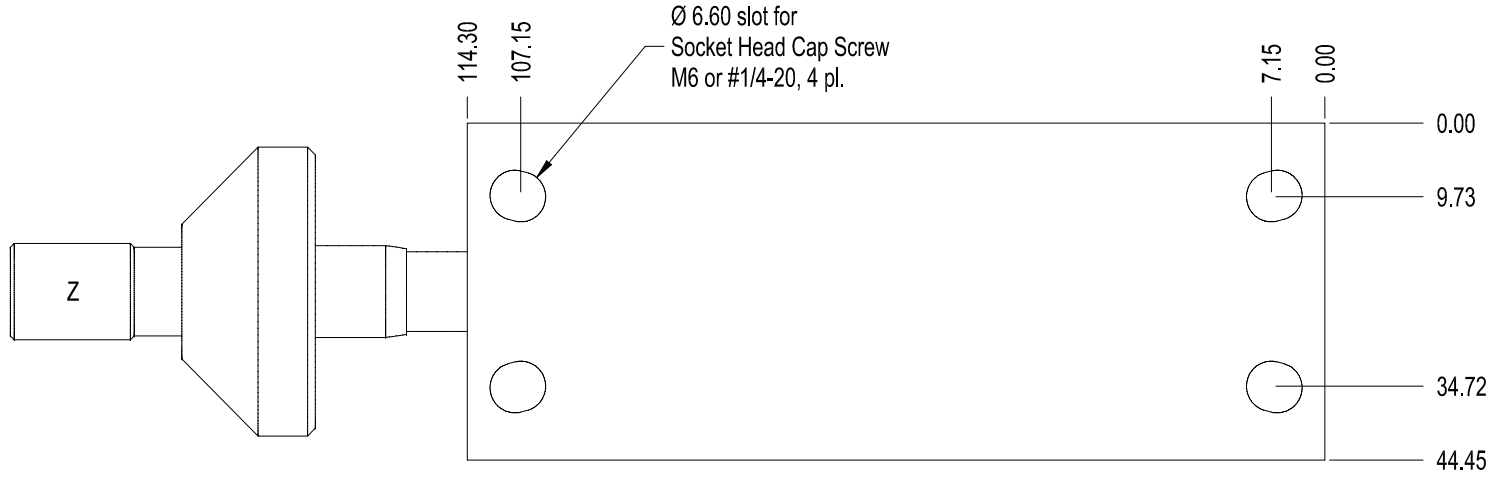


NOTE: Stage is shown in mid-position of travel  
 Z-Axis travel:  $\pm 6.35\text{mm}$  (0.250"), 10 $\mu\text{m/div}$ .  
 X&Y Axis travel:  $\pm 1.02\text{mm}$  (0.040") (coarse adjustment)  
 $\pm 250\mu\text{m}$  (0.010") (fine adjustment)

<b>LUMINOS INDUSTRIES LTD</b>				
I3000-SI XYZ Positioner (manual) - Outline (Entire Stage)				
SIZE A	VIEW	DWG NO.	PT048503A	REV A
SCALE 0.75	FILE	PT0485A.ckd	SHEET 1/3	

Material:	
Finish:	Tolerance:

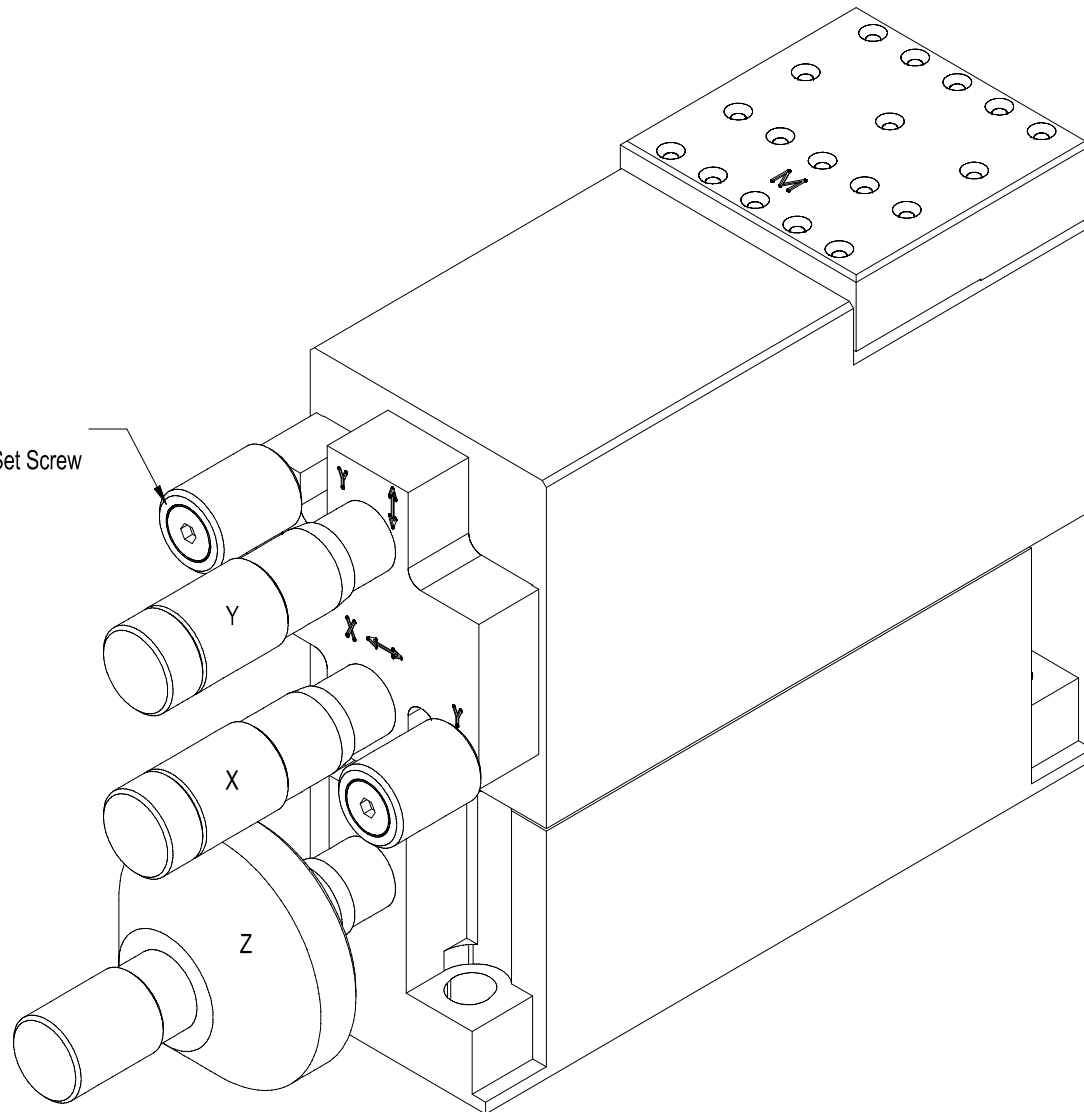


## LUMINOS INDUSTRIES LTD

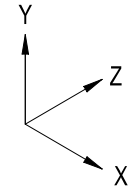
I3000-SI XYZ Positioner (manual) - Outline (Z-Axis stage only)

Material: \_\_\_\_\_  
 Finish: \_\_\_\_\_ Tolerance: \_\_\_\_\_

SIZE A	VIEW	DWG NO.	PT048503A	REV A
SCALE 0.75	FILE	PT0485A.ckd	SHEET 2/3	



Coarse Adjust  
M5 x 0.8 Hex Socket Set Screw

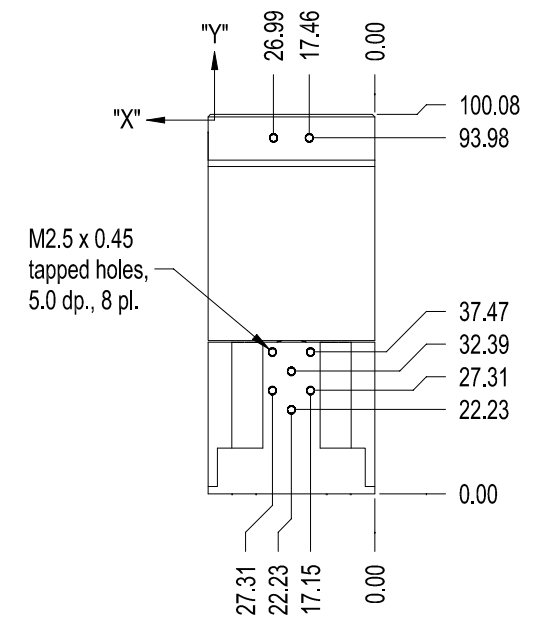
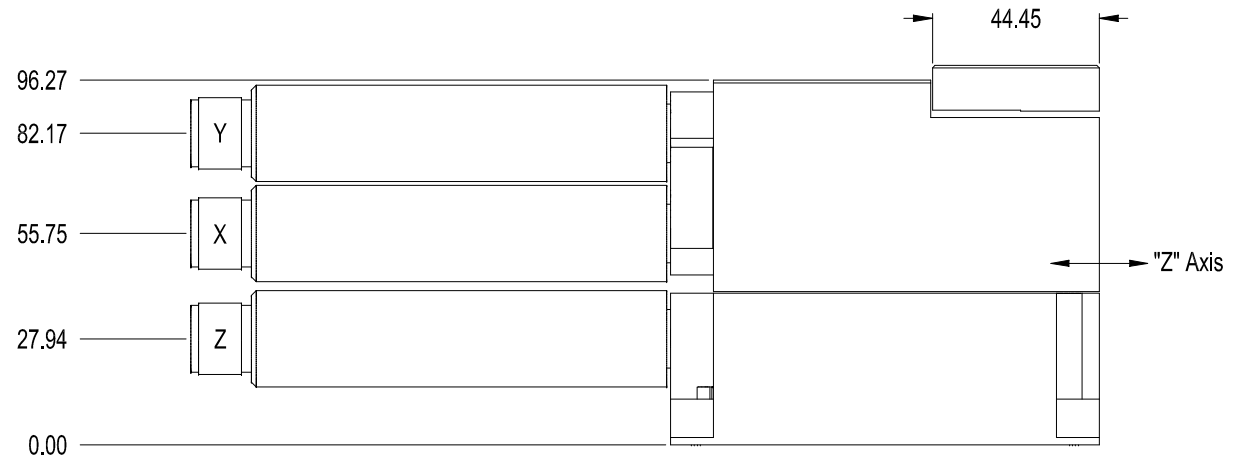
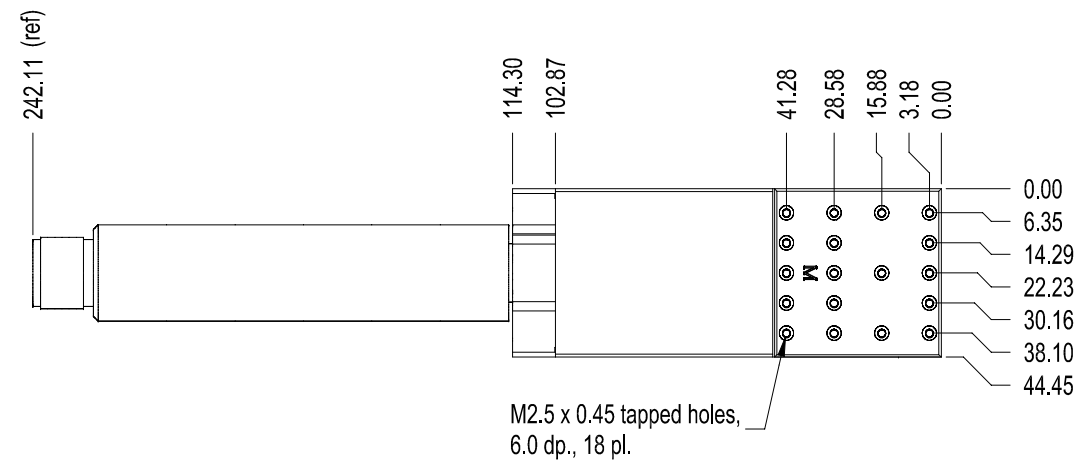


# LUMINOS INDUSTRIES LTD

I3000-SI XYZ Positioner (manual) - Perspective View

Material:  
Finish: Tolerance:

SIZE A	VIEW	DWG NO.	PT048503A	REV A
SCALE 1	FILE	PT0485A.ckd	SHEET 3/3	



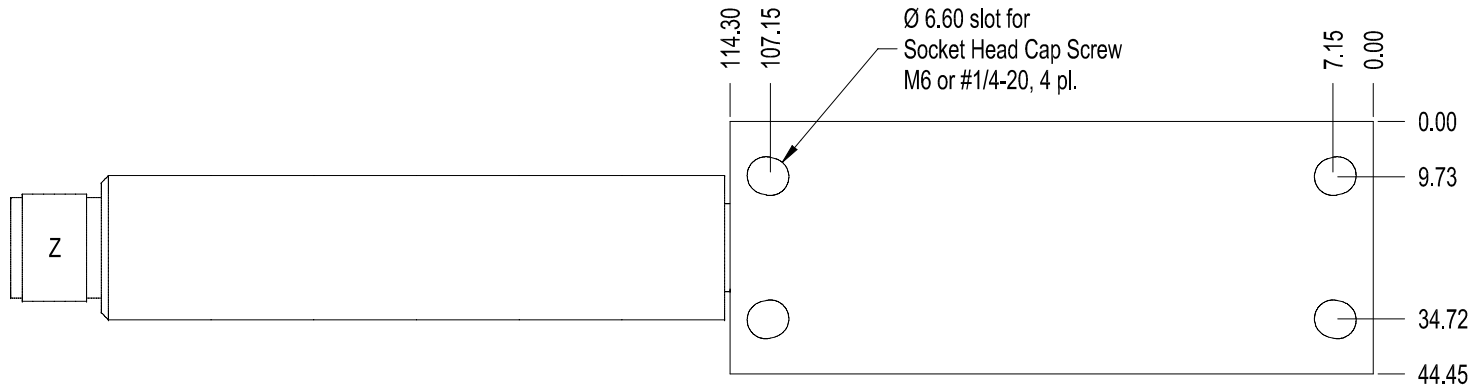
NOTE: Stage is shown in mid-position of travel  
 Z-Axis travel:  $\pm 6.35\text{mm}$  (0.250")  
 X&Y Axis travel:  $\pm 1.02\text{mm}$  (0.040") (coarse adjustment)  
 $\pm 250\mu\text{m}$  (0.010") (fine adjustment)

# LUMINOS INDUSTRIES LTD

I3000-SI XYZ Positioner (stepper motor) - Outline (Entire Stage)

Material:  
 Finish:                      Tolerance:

SIZE A	VIEW	DWG NO.	PT048504A	REV A
SCALE 0.5	FILE	PT0485A.ckd	SHEET 1/3	

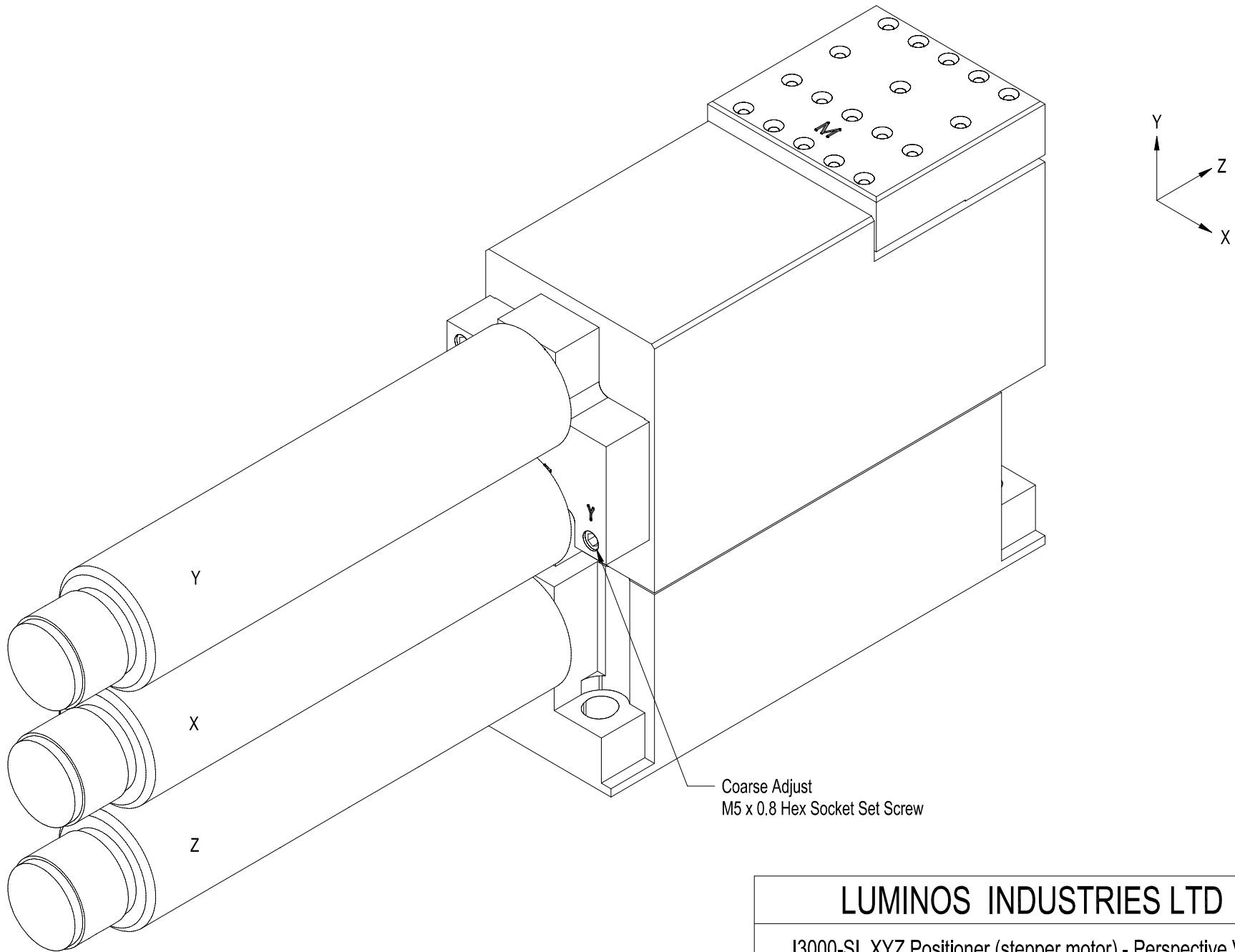


# LUMINOS INDUSTRIES LTD

I3000-SI XYZ Positioner (stepper motor) - Z-Axis stage only

Material: \_\_\_\_\_  
 Finish: \_\_\_\_\_ Tolerance: \_\_\_\_\_

SIZE A	VIEW	DWG NO.	PT048504A	REV A
SCALE 0.75	FILE	PT0485A.ckd	SHEET 2/3	



Coarse Adjust  
M5 x 0.8 Hex Socket Set Screw

# LUMINOS INDUSTRIES LTD

I3000-SI XYZ Positioner (stepper motor) - Perspective View

Material: \_\_\_\_\_  
 Finish: \_\_\_\_\_ Tolerance: \_\_\_\_\_

SIZE A	VIEW	DWG NO.	PT048504A	REV A
SCALE 1	FILE	PT0485A.ckd	SHEET 3/3	