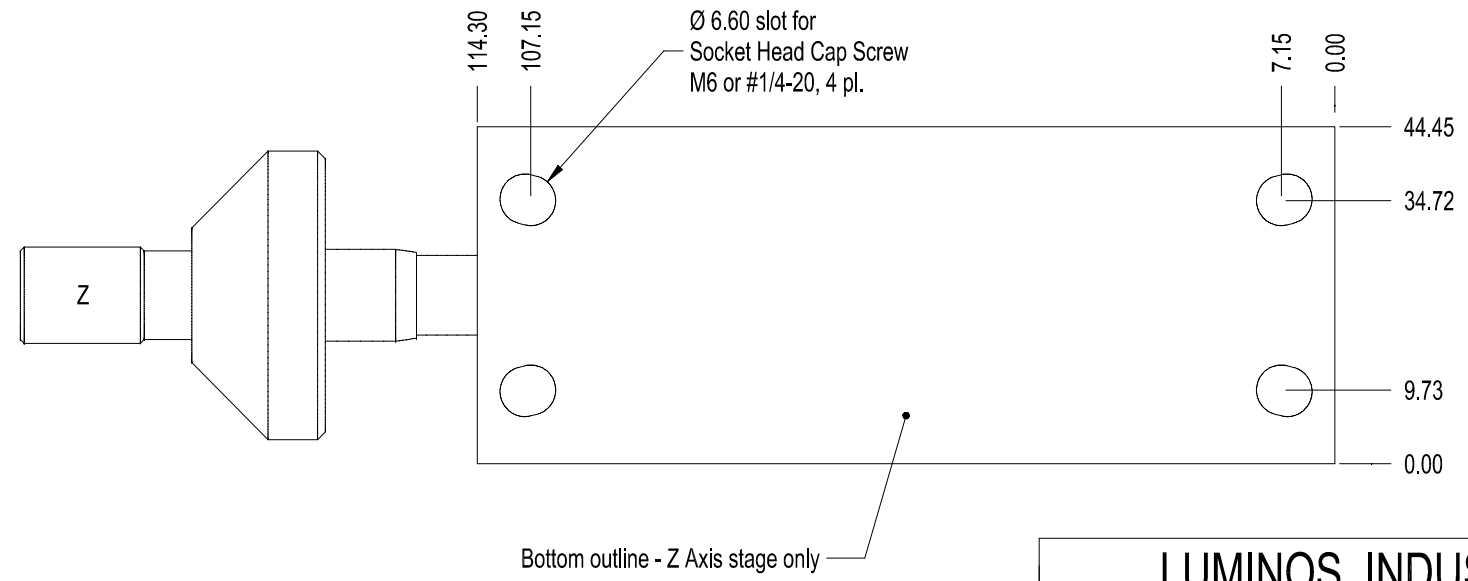
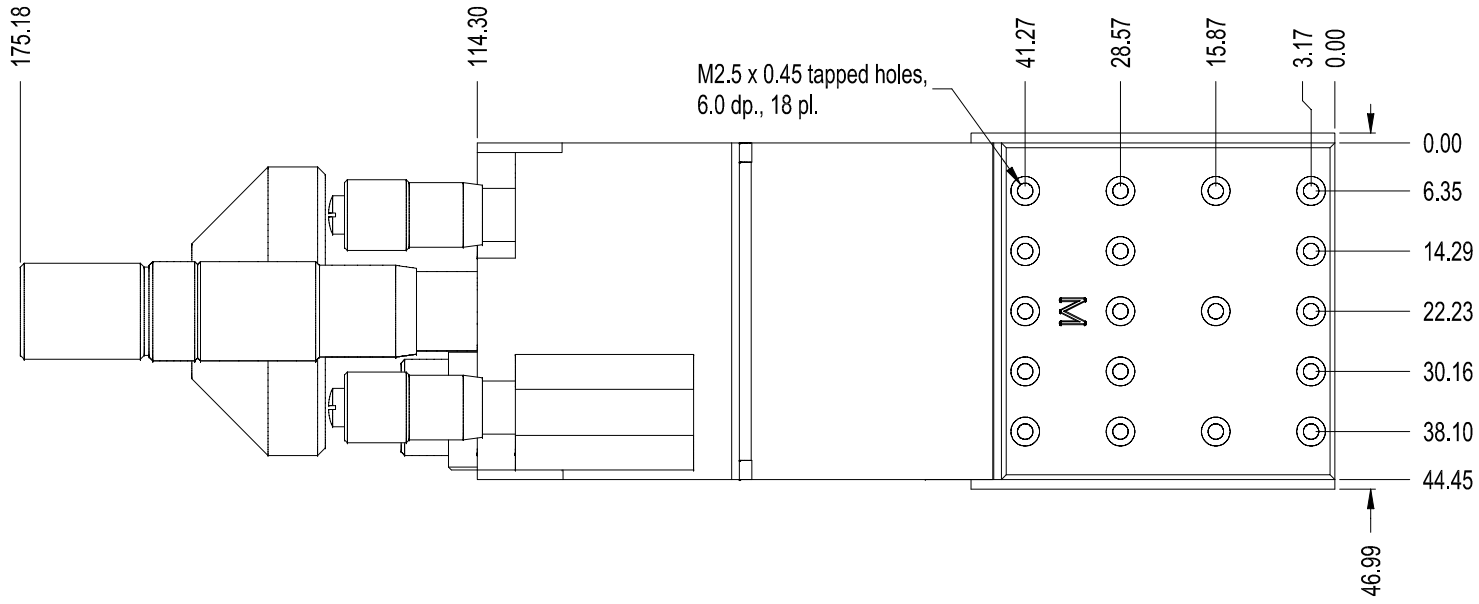


NOTE: Stage is shown in mid-position of travel
 Z-Axis travel: $\pm 6.35\text{mm}$ (0.250"), 10 $\mu\text{m}/\text{div}$.
 X&Y Axis travel: $\pm 1.27\text{mm}$ (0.050")
 Yaw & Pitch travel: $\pm 1.5^\circ$, 30 arc-sec/div., 4 turns/degree

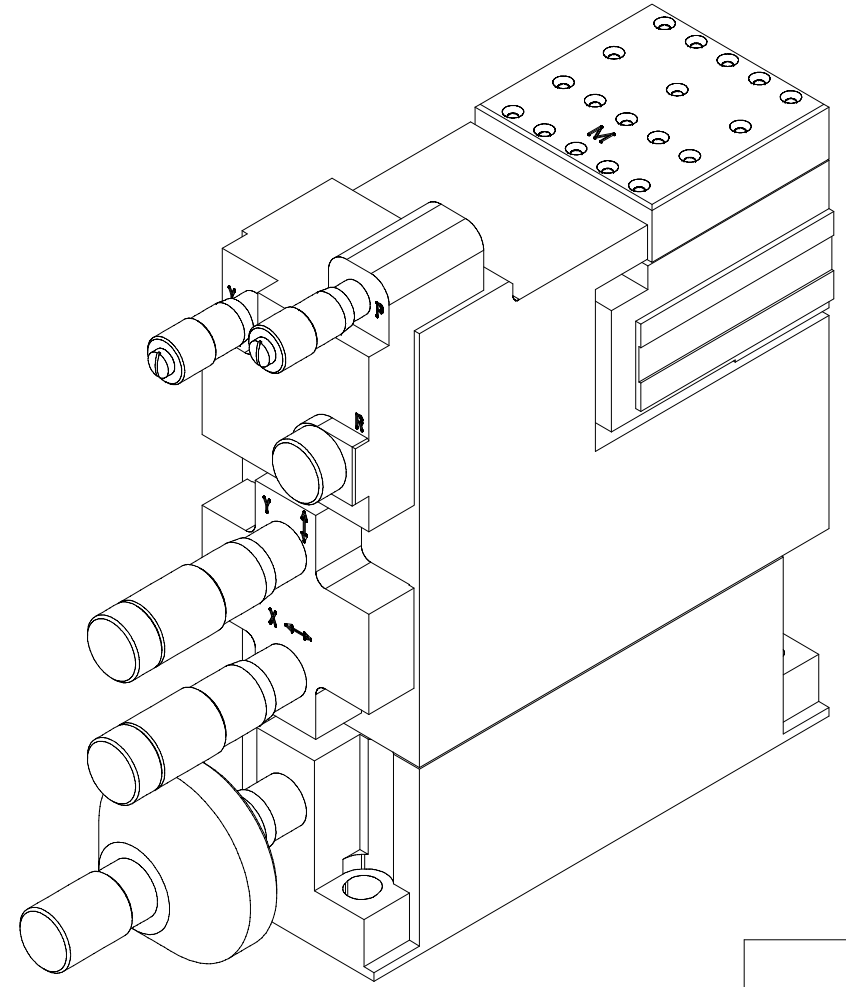
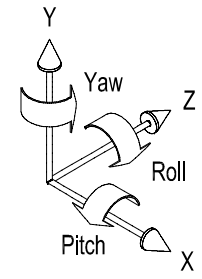
LUMINOS INDUSTRIES LTD				
I5005 XYZYP Positioner (manual) - Front & End Outline				
SIZE A	VIEW	DWG NO.	PT048515A	REV A
SCALE 0.75	FILE	PT0485A.ckd	SHEET 1/3	

Material:	
Finish:	Tolerance:



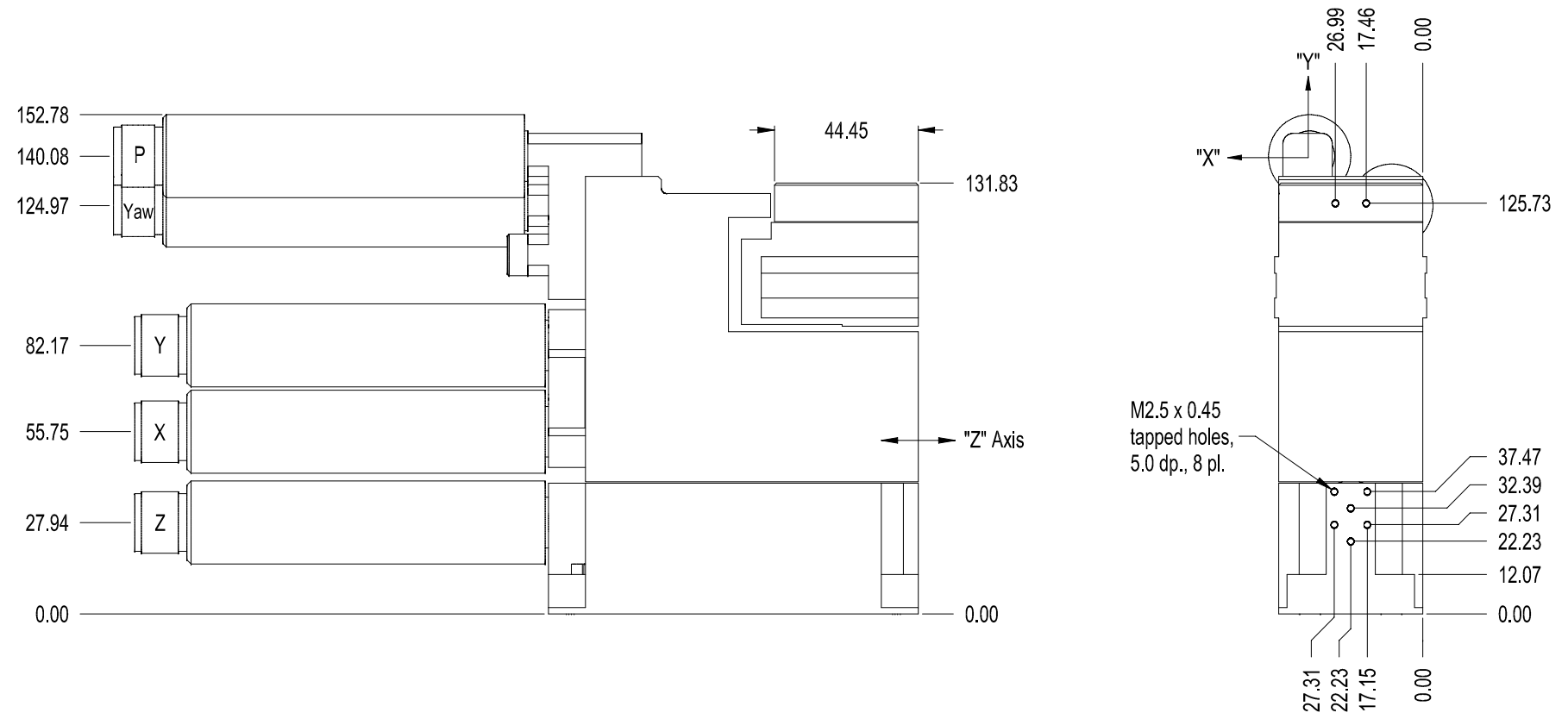
LUMINOS INDUSTRIES LTD				
I5005 XYZYP Positioner (manual) Outline Top & Bottom (Z-Axis stage only)				
SIZE A	VIEW	DWG NO.	PT048515A	REV A
SCALE 1	FILE	PT0485A.ckd	SHEET	2/3

Material:	
Finish:	Tolerance:



LUMINOS INDUSTRIES LTD				
I5005 XYZYP Positioner (manual) - Perspective View				
SIZE A	VIEW	DWG NO.	PT048515A	REV A
SCALE 0.75	FILE	PT0485A.ckd	SHEET 3/3	

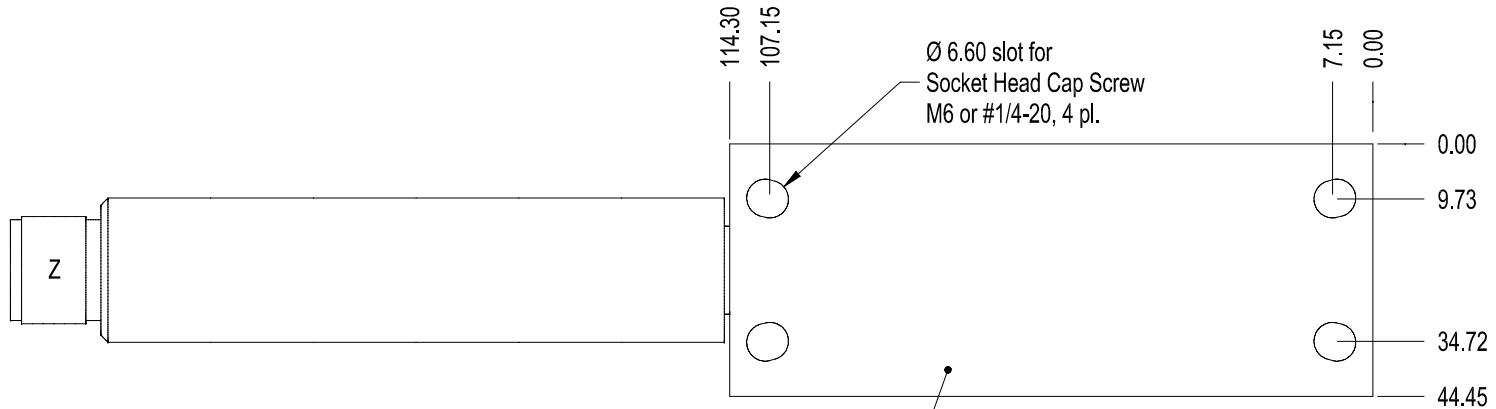
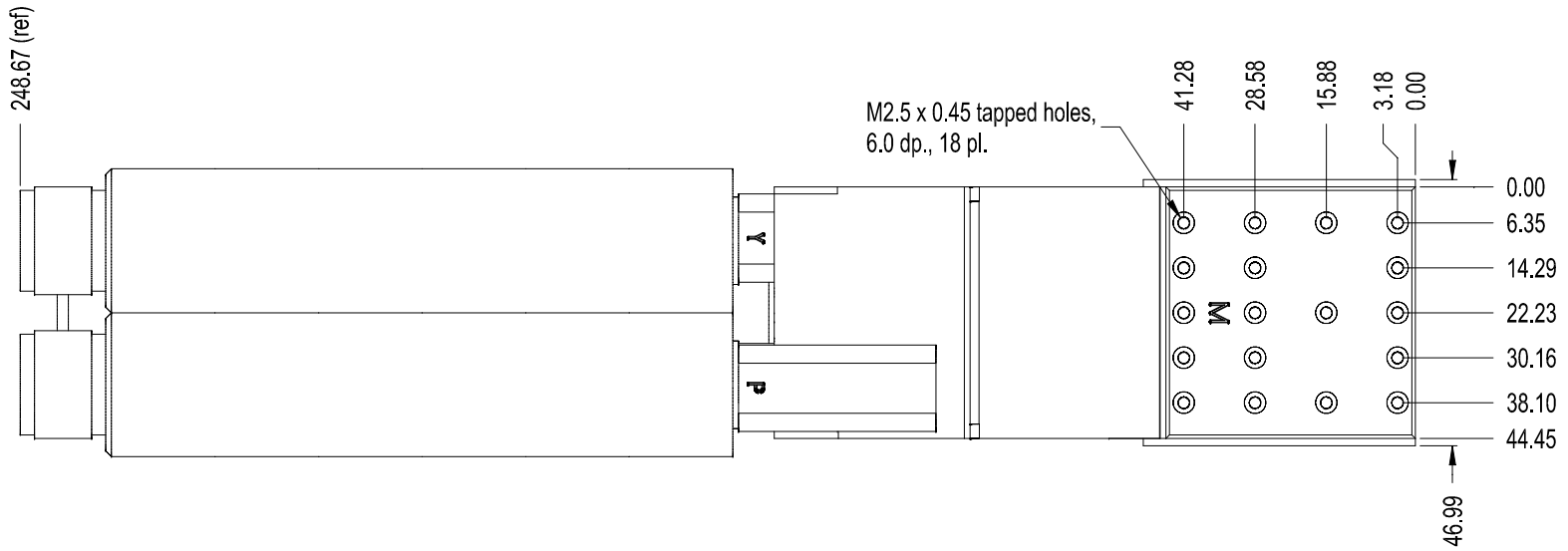
Material:	
Finish:	Tolerance:



NOTE: Stage is shown in mid-position of travel
 Z-Axis travel: ±6.35mm (0.250")
 X&Y Axis travel: +/-1.27mm (0.050")
 Yaw & Pitch travel: ±1.5° each axis

LUMINOS INDUSTRIES LTD				
I5005 XYZYP Positioner (stepper motor) - Front & End Outline				
SIZE A	VIEW	DWG NO.	PT048516A	REV A
SCALE 0.5	FILE	PT0485A.ckd	SHEET 1/3	

Material:	
Finish:	Tolerance:



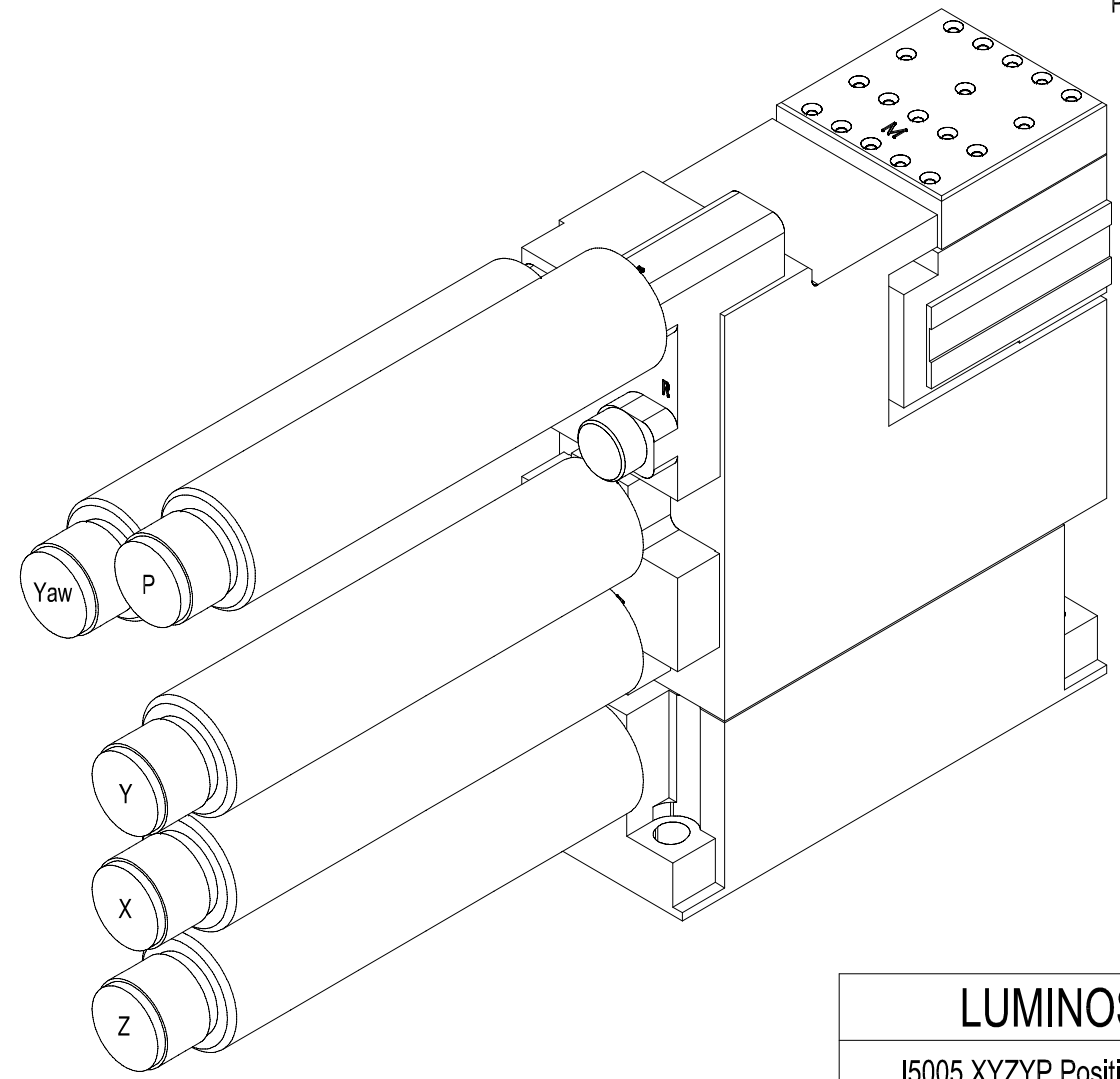
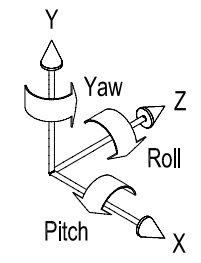
Bottom outline - Z Axis stage only

LUMINOS INDUSTRIES LTD

I5005 XYZYP Positioner (stepper motor)
Outline Top & Bottom (Z-Axis stage only)

Material:
Finish: Tolerance:

SIZE A	VIEW	DWG NO.	PT048516A	REV A
SCALE 0.75	FILE	PT0485A.ckd	SHEET 2/3	



LUMINOS INDUSTRIES LTD

I5005 XYZYP Positioner (stepper motor) - Perspective View

Material: _____
 Finish: _____ Tolerance: _____

SIZE A	VIEW	DWG NO.	PT048516A	REV A
SCALE 0.7	FILE	PT0485A.ckd	SHEET 3/3	