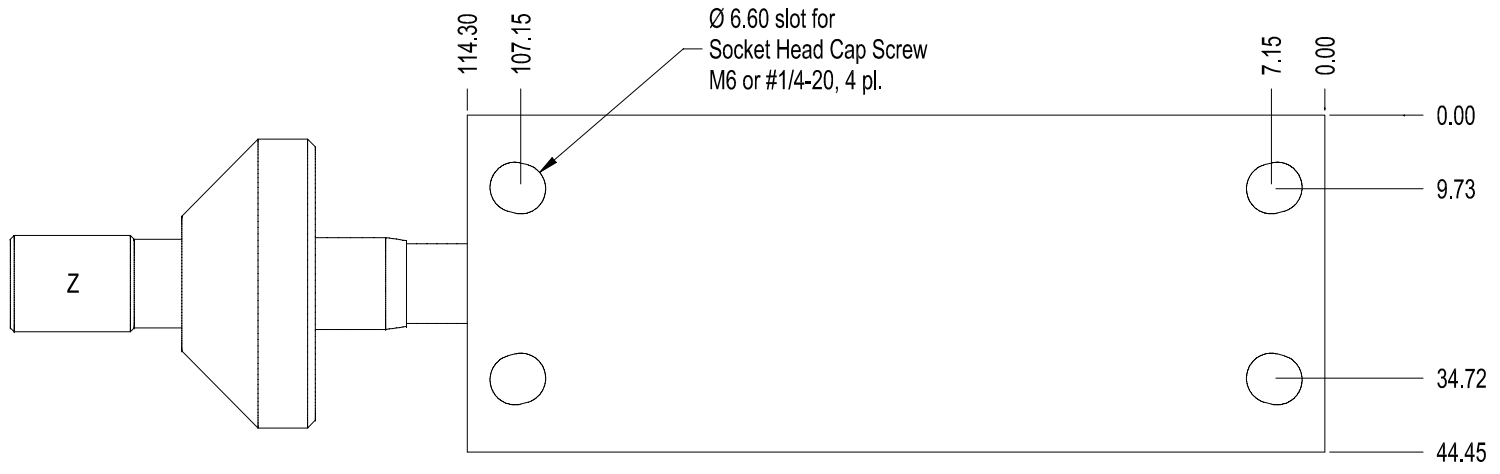


NOTE: Stage is shown in mid-position of travel  
 Z-Axis travel: +/-6.35mm (0.250"), 10um/div.  
 X&Y Axis travel: +/-1.27mm (0.050")

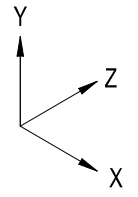
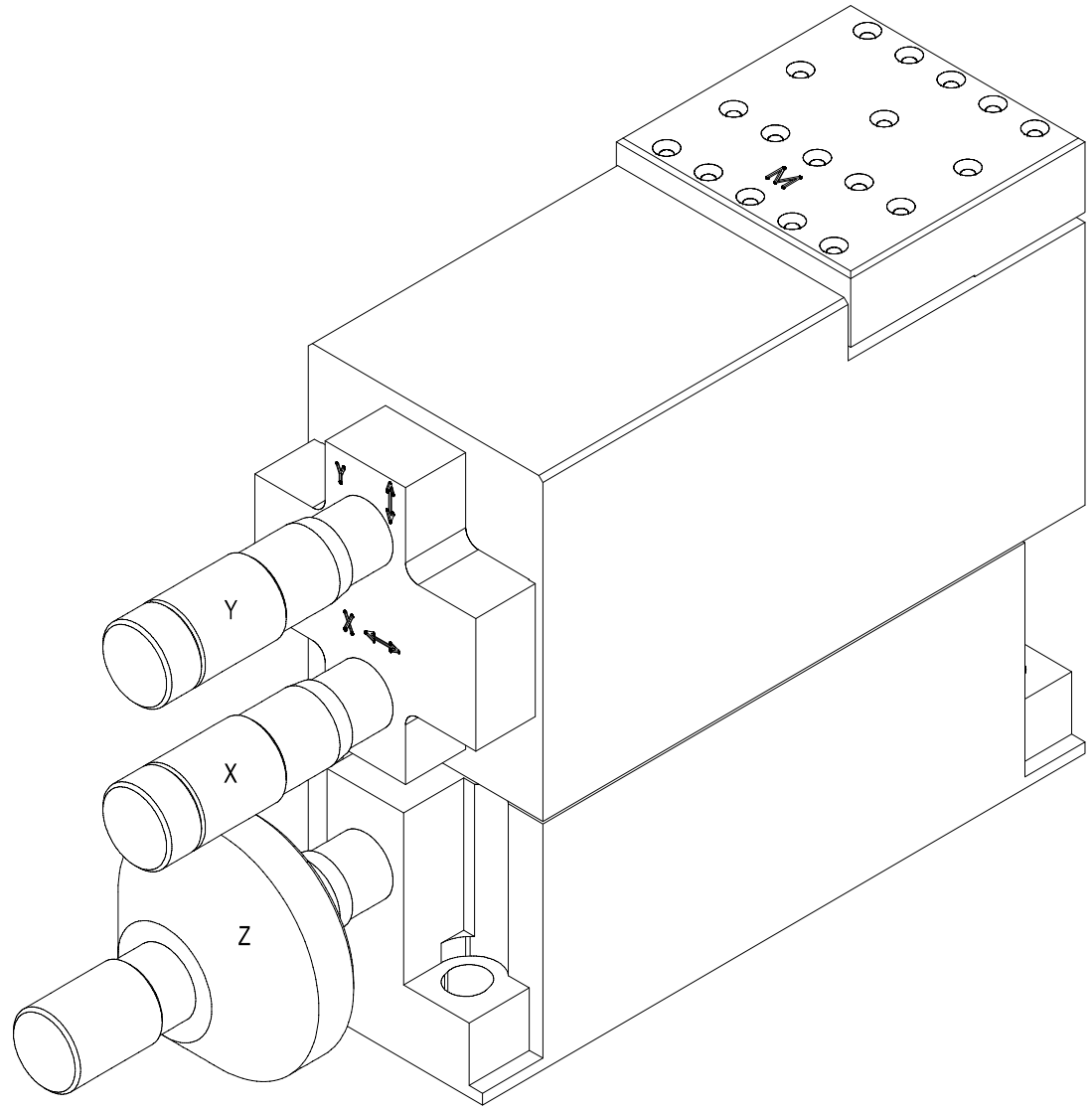
|   |      |             |           |       |
|---|------|-------------|-----------|-------|
| <b>LUMINOS INDUSTRIES LTD</b>                             |      |             |           |       |
| I3005-SI XYZ Positioner (manual) - Outline (Entire Stage) |      |             |           |       |
| SIZE A  | VIEW | DWG NO.     | PT048505A | REV A |
| SCALE 0.75  | FILE | PT0485A.ckd | SHEET 1/3 |       |

|           |            |
|-----------|------------|
| Material: |            |
| Finish:   | Tolerance: |



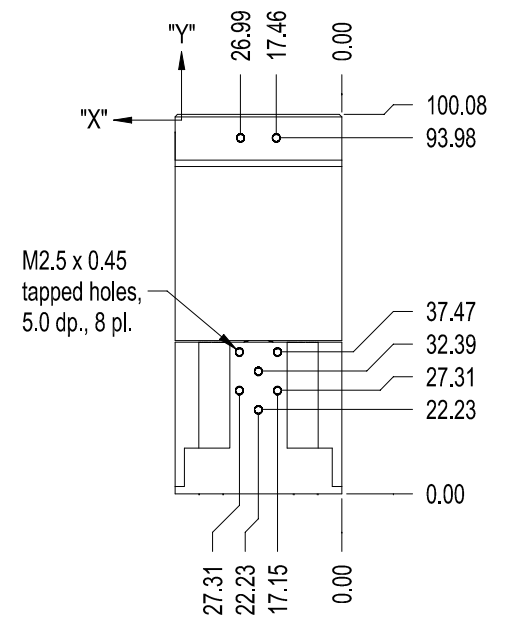
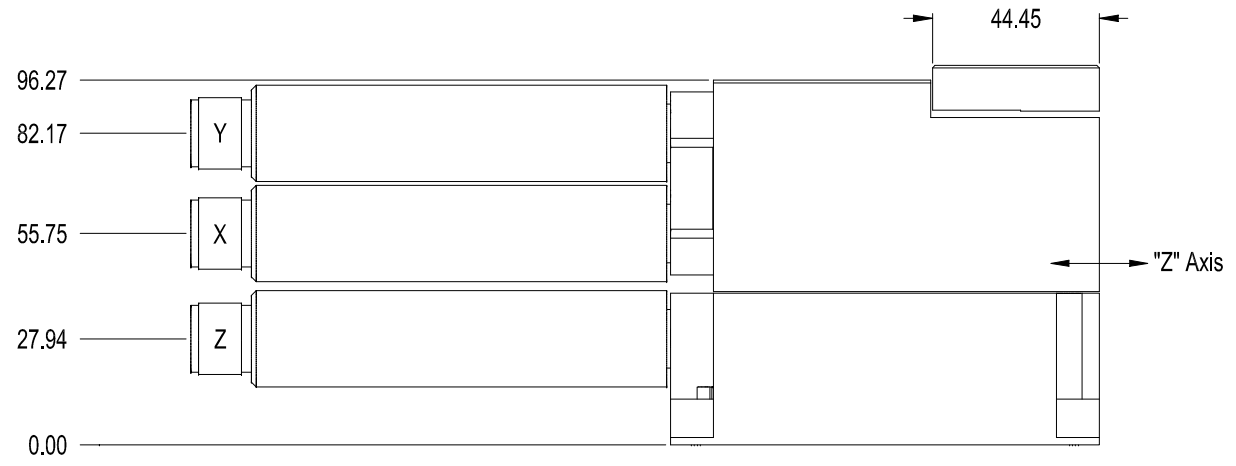
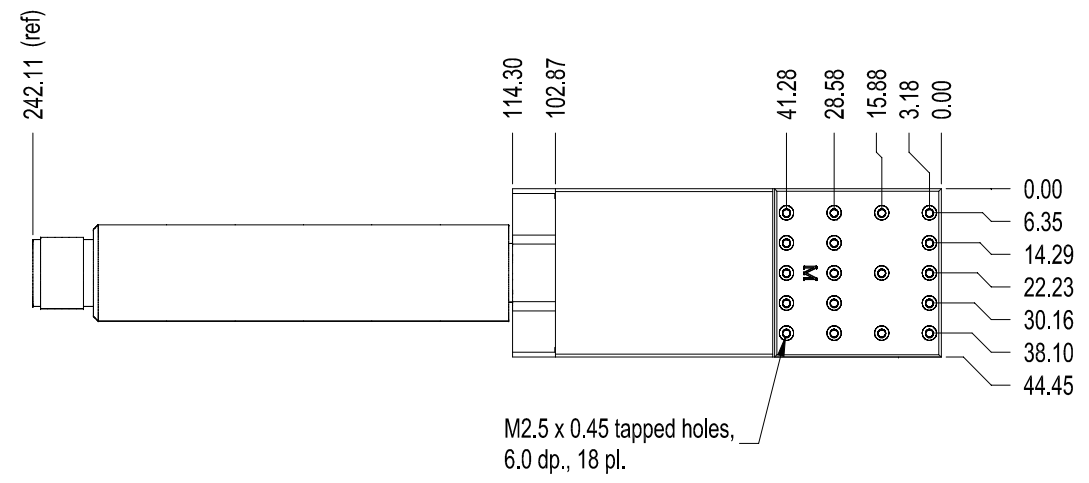
|  |      |             |           |
|--|------|-------------|-----------|
| <b>LUMINOS INDUSTRIES LTD</b>                                  |      |             |           |
| I3005-SI XYZ Positioner (manual) - Outline (Z-Axis stage only) |      |             |           |
| SIZE A   | VIEW | DWG NO.     | PT048505A |
| SCALE 0.75   | FILE | PT0485A.ckd | SHEET 2/3 |

|           |            |
|-----------|------------|
| Material: |            |
| Finish:   | Tolerance: |



|   |      |             |           |       |
|---|------|-------------|-----------|-------|
| <b>LUMINOS INDUSTRIES LTD</b>                       |      |             |           |       |
| I3005-SI XYZ Positioner (manual) - Perspective View |      |             |           |       |
| SIZE A  | VIEW | DWG NO.     | PT048505A | REV A |
| SCALE 1   | FILE | PT0485A.ckd | SHEET 3/3 |       |

|           |            |
|-----------|------------|
| Material: |            |
| Finish:   | Tolerance: |



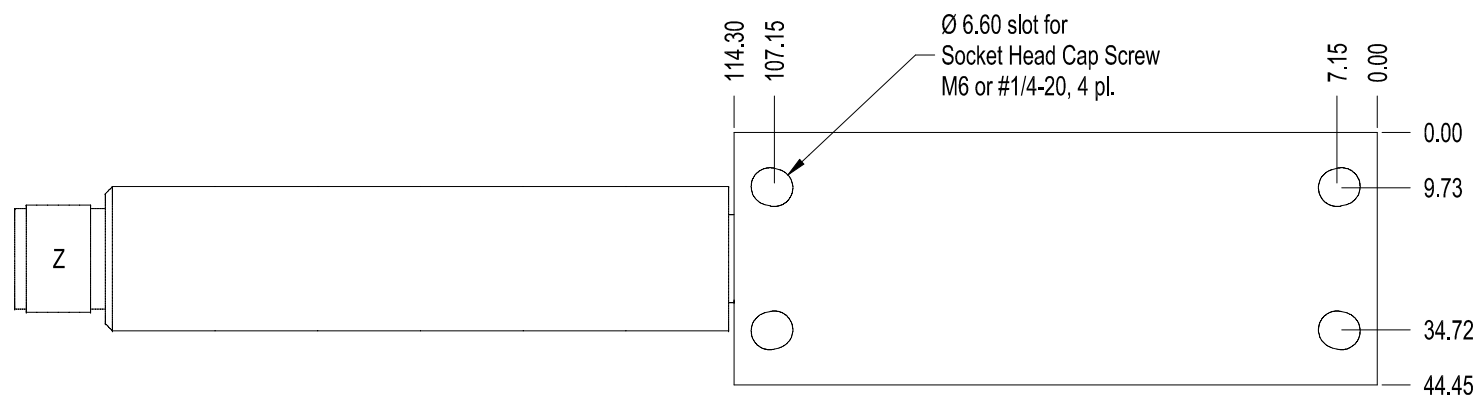
NOTE: Stage is shown in mid-position of travel  
 Z-Axis travel: +/-6.35mm (0.250")  
 X&Y Axis travel: +/-1.27mm (0.050")

**LUMINOS INDUSTRIES LTD**

I3005-SI XYZ Positioner (stepper motor) - Outline (Entire Stage)

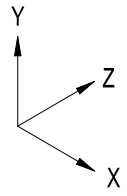
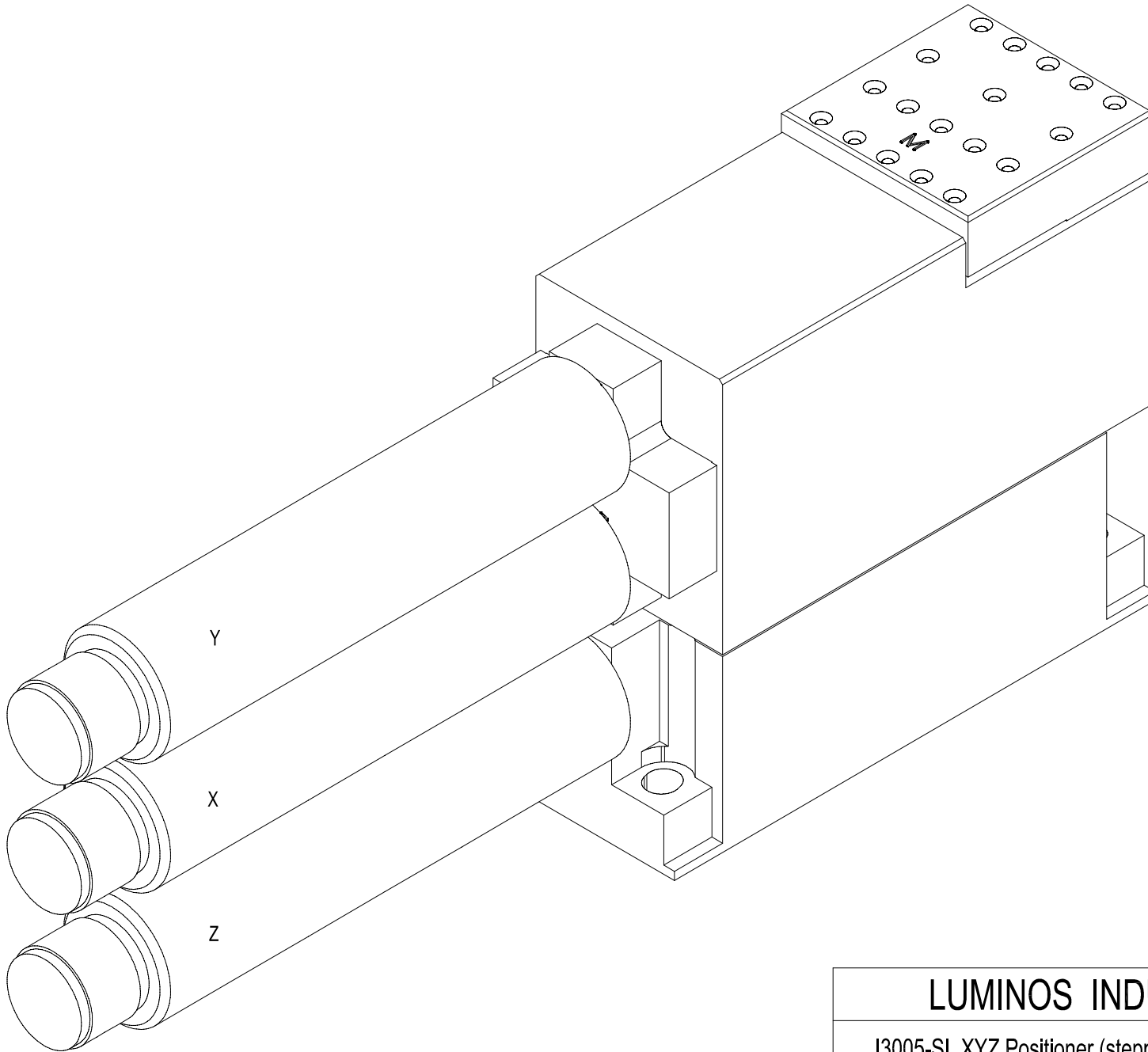
|           |      |             |           |       |
|-----------|------|-------------|-----------|-------|
| SIZE A    | VIEW | DWG NO.     | PT048506A | REV A |
| SCALE 0.5 | FILE | PT0485A.ckd | SHEET 1/3 |       |

Material: \_\_\_\_\_  
 Finish: \_\_\_\_\_    Tolerance: \_\_\_\_\_



|   |      |             |           |
|---|------|-------------|-----------|
| <b>LUMINOS INDUSTRIES LTD</b>                               |      |             |           |
| I3005-SI XYZ Positioner (stepper motor) - Z-Axis stage only |      |             |           |
| SIZE A  | VIEW | DWG NO.     | PT048506A |
| SCALE 0.75  | FILE | PT0485A.ckd | SHEET 2/3 |
|   |      | REV A       |           |

|           |            |
|-----------|------------|
| Material: |            |
| Finish:   | Tolerance: |



# LUMINOS INDUSTRIES LTD

I3005-SI XYZ Positioner (stepper motor) - Perspective View

Material: \_\_\_\_\_  
 Finish: \_\_\_\_\_ Tolerance: \_\_\_\_\_

|         |      |             |           |       |
|---------|------|-------------|-----------|-------|
| SIZE A  | VIEW | DWG NO.     | PT048506A | REV A |
| SCALE 1 | FILE | PT0485A.ckd | SHEET 3/3 |       |