

NOTE: Stage is shown in mid-position of travel
 Z-Axis travel: +/- 0.250" (6.35mm), 0.001"/div. (Imperial)
 Roll travel: +/- 1.5°, 10 arc-sec/div., 6 turns/degree
 Yaw & Pitch travel: +/- 1.5°, 30 arc-sec/div., 4 turns/degree

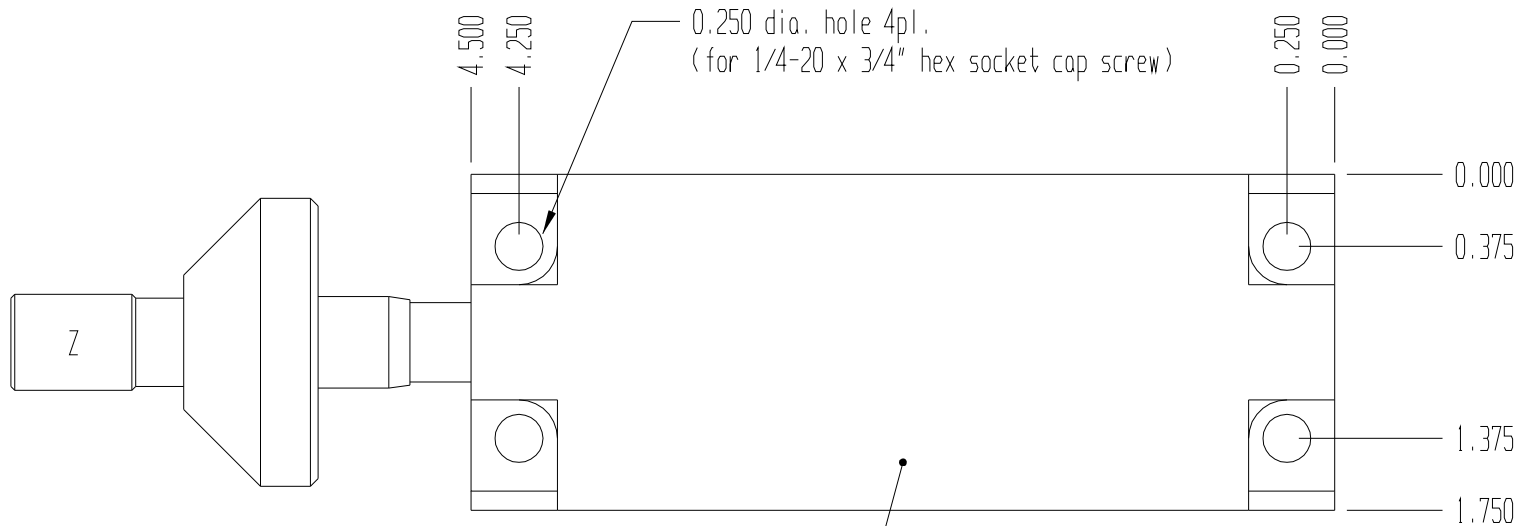
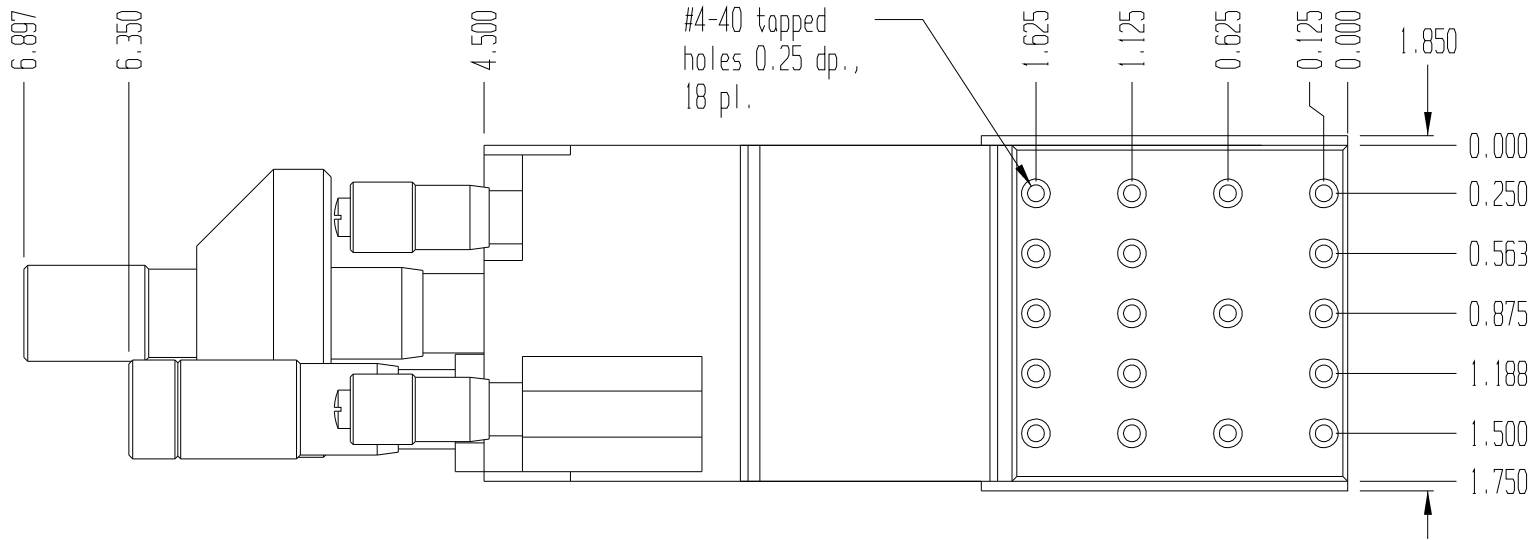
LUMINDS INDUSTRIES LTD

ZRYP Positioner (manual) - Front & End Outline

Material:	
Finish:	Tolerance

SIZE A	VIEW	DWG NO.	ZRYP	REV A
SCALE 0.75	FILE	ZRYP.prt	SHEET 1/3	

DESCRIPTION	REV Date: Mar 28, 06	APPROVED
-------------	----------------------	----------



Bottom outline - Z Axis stage only

LUMINOS INDUSTRIES LTD

ZRYP Positioner (manual) - Outline Top & Bottom

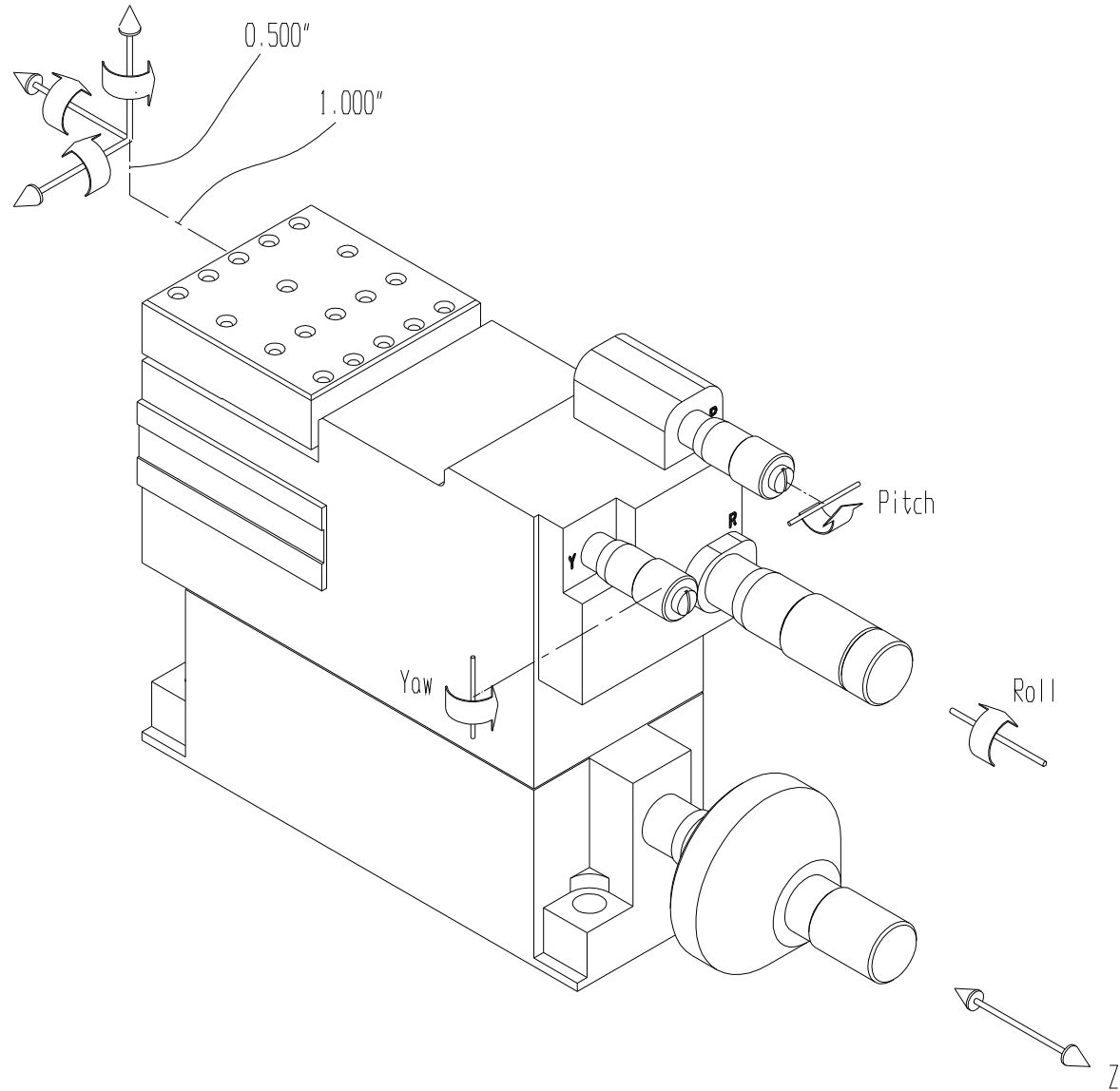
Material:	
Finish:	Tolerance

SIZE A	VIEW TOP	DWG NO.	ZRYP	REV A
SCALE 1	FILE	ZRYP.prt	SHEET 2/3	

PKG Start Date:

REV Date: Mar 28, 06

APPROVED



LUMINDS INDUSTRIES LTD

ZRYP Positioner (manual) - Perspective View

Material:	
Finish:	Tolerance

SIZE A	VIEW ISO	DWG NO.	ZRYP	REV A
SCALE 0.75	FILE	ZRYP.prt	SHEET 3/3	