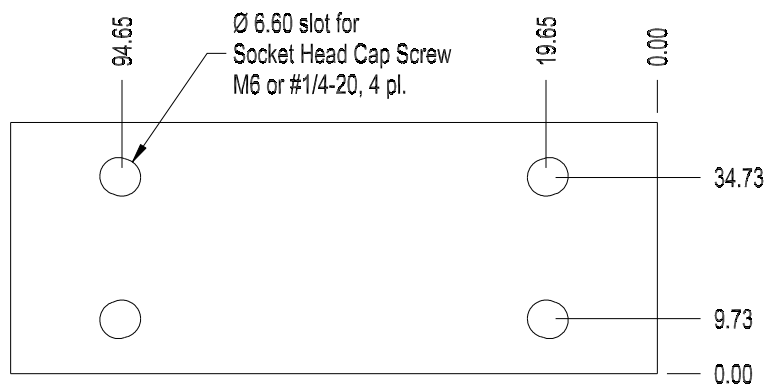
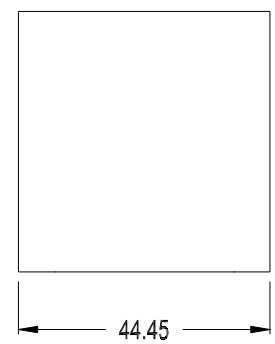
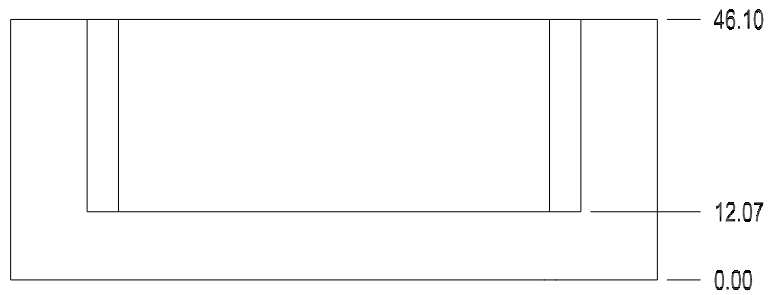


Scale 0.5



ADP003-SI Adapter Block			
SIZE A	VIEW:	DWG NO. PT041716A	REV A
SCALE 0.75	FILE	PT041716A.ckd	SHEET 1/1

Material:	
Finish:	Tolerance: