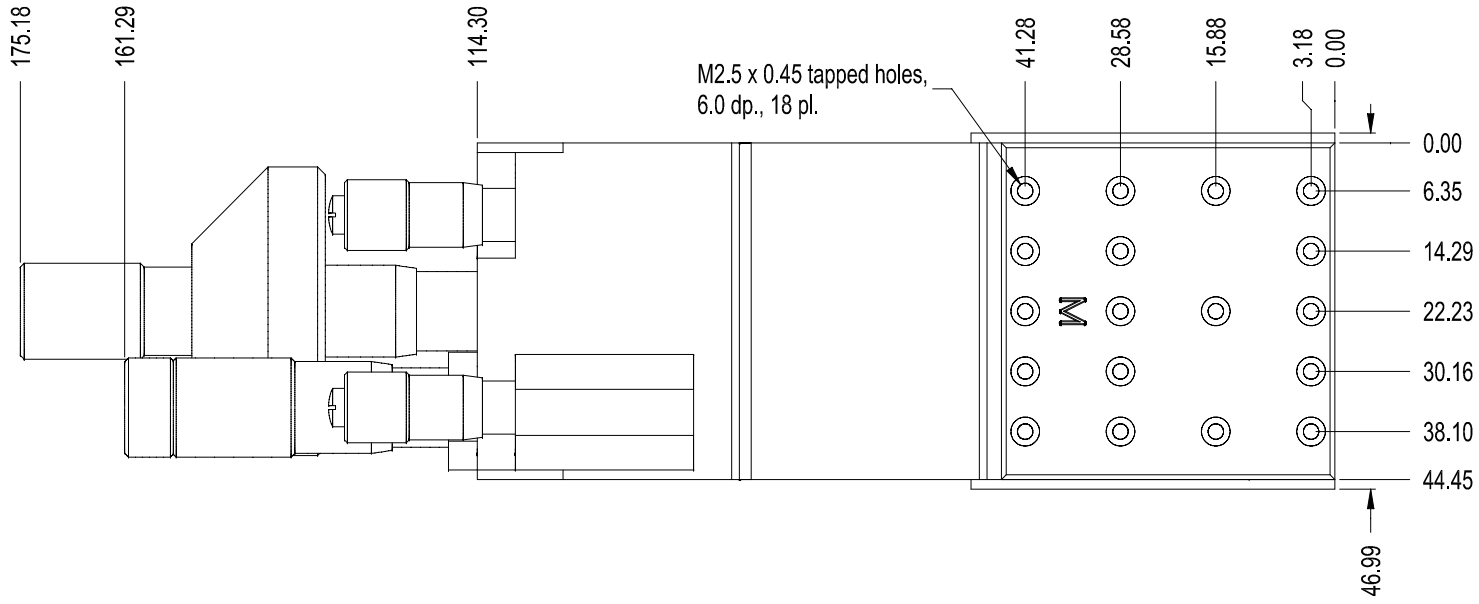


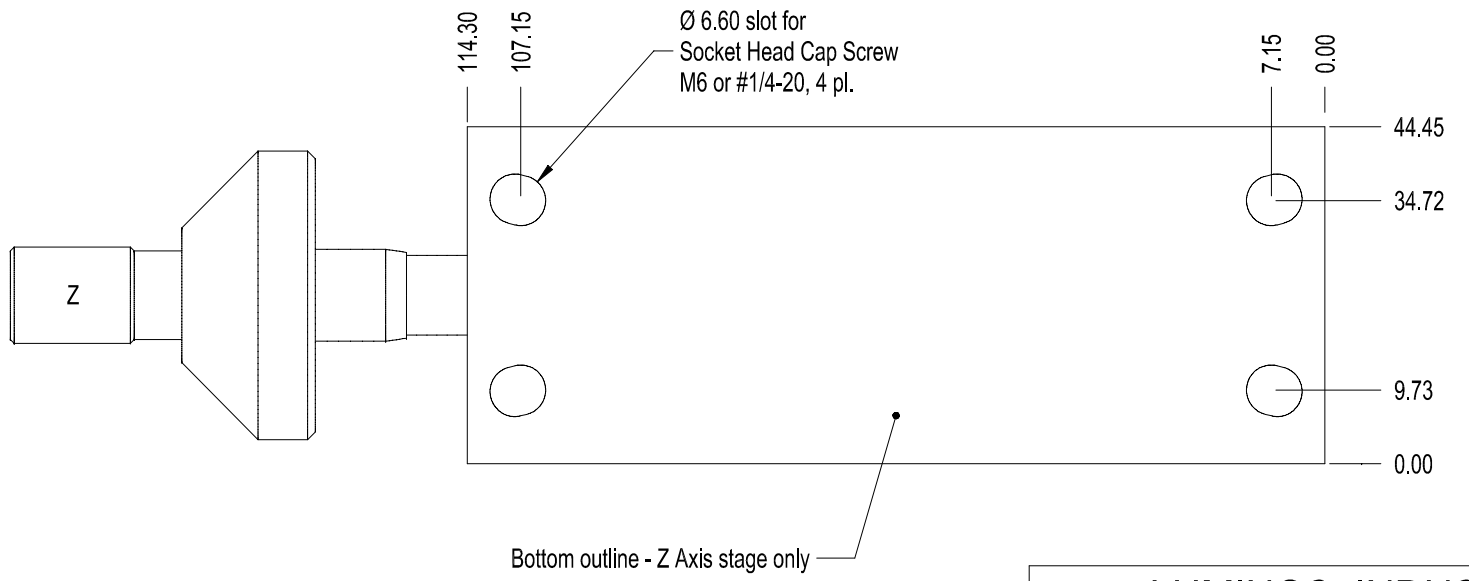
NOTE: Stage is shown in mid-position of travel
 Z-Axis travel: $\pm 6.35\text{mm}$ (0.250"), 10 $\mu\text{m}/\text{div}$.
 Roll travel: $\pm 1.5^\circ$, 10 arc-sec/div., 6 turns/degree
 Yaw & Pitch travel: $\pm 1.5^\circ$, 30 arc-sec/div., 4 turns/degree

LUMINOS INDUSTRIES LTD				
ZRY4000-SI Positioner (manual) - Front & End Outline				
SIZE A	VIEW	DWG NO.	PT048521A	REV A
SCALE 0.75	FILE	PT0485A.ckd	SHEET	1/3

Material:	
Finish:	Tolerance:



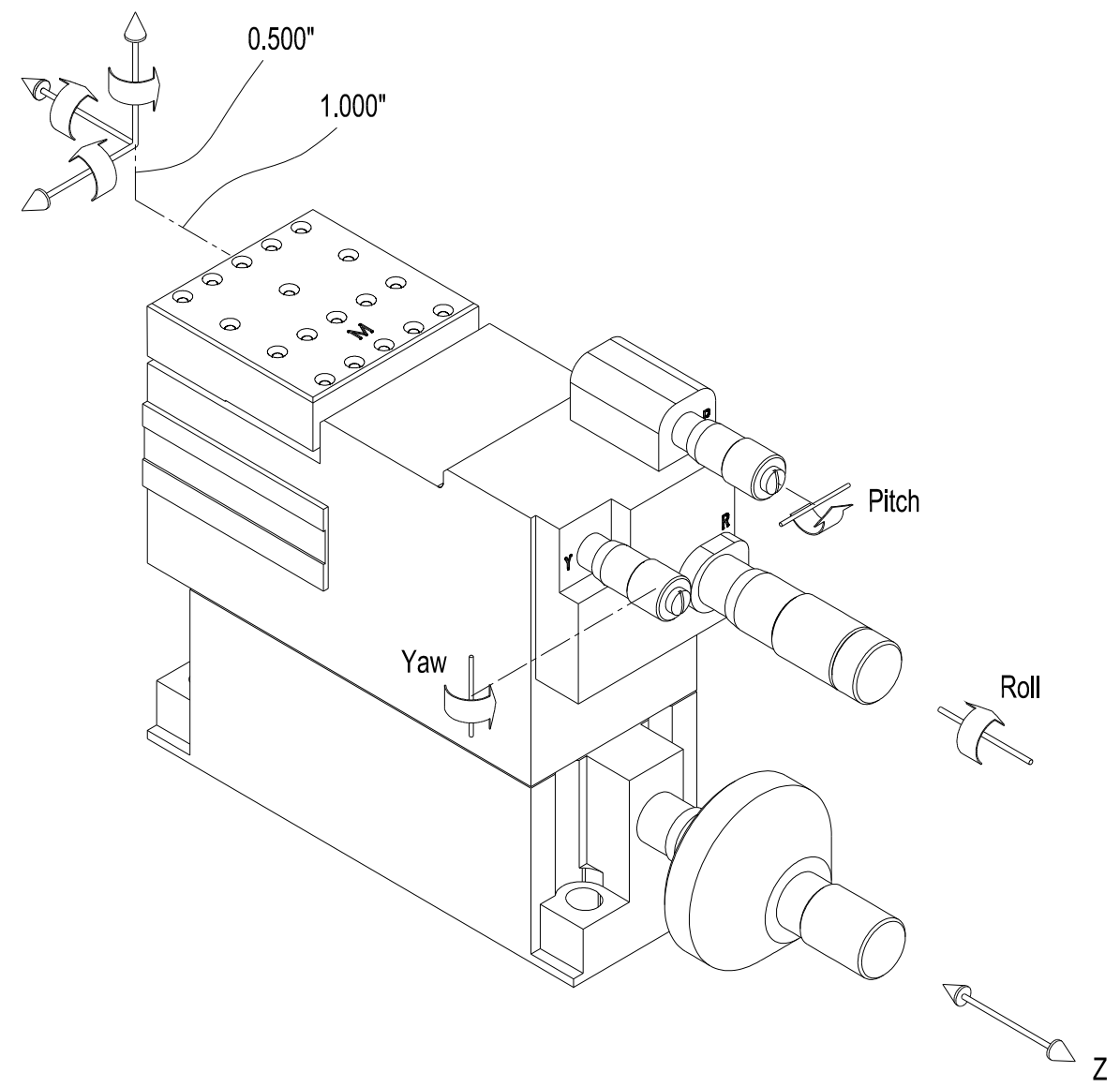
Top View



Bottom View

LUMINOS INDUSTRIES LTD				
ZRY4000-SI Positioner (manual) - Outline Top & Bottom				
SIZE A	VIEW	DWG NO.	PT048521A	REV A
SCALE 1	FILE	PT0485A.ckd	SHEET	2/3

Material: _____
 Finish: _____ Tolerance: _____



LUMINOS INDUSTRIES LTD				
ZRYP4000-SI Positioner (manual) - Perspective View				
SIZE A	VIEW	DWG NO.	PT048521A	REV A
SCALE 1	FILE	PT0485A.ckd	SHEET 3/3	

Material:	
Finish:	Tolerance: