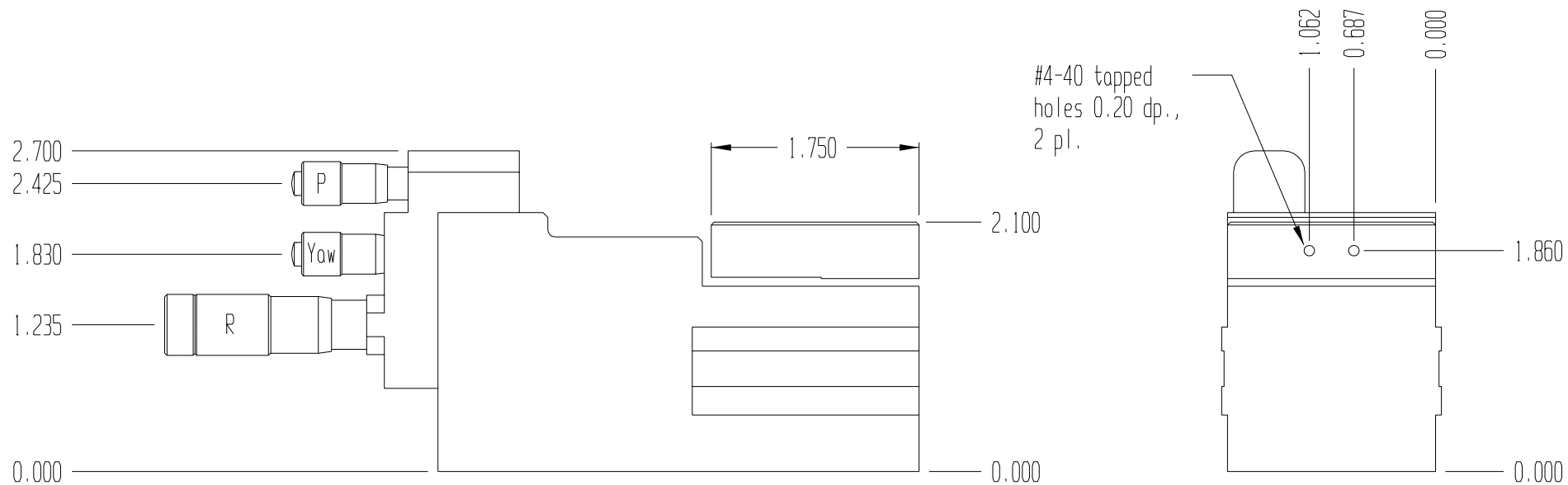


PKG Start Date:

REV Date: Jan 09, 03

APPROVED



NOTE: Stage is shown in mid-position of travel
 Roll, Yaw & Pitch: +/- 1.5° each axis

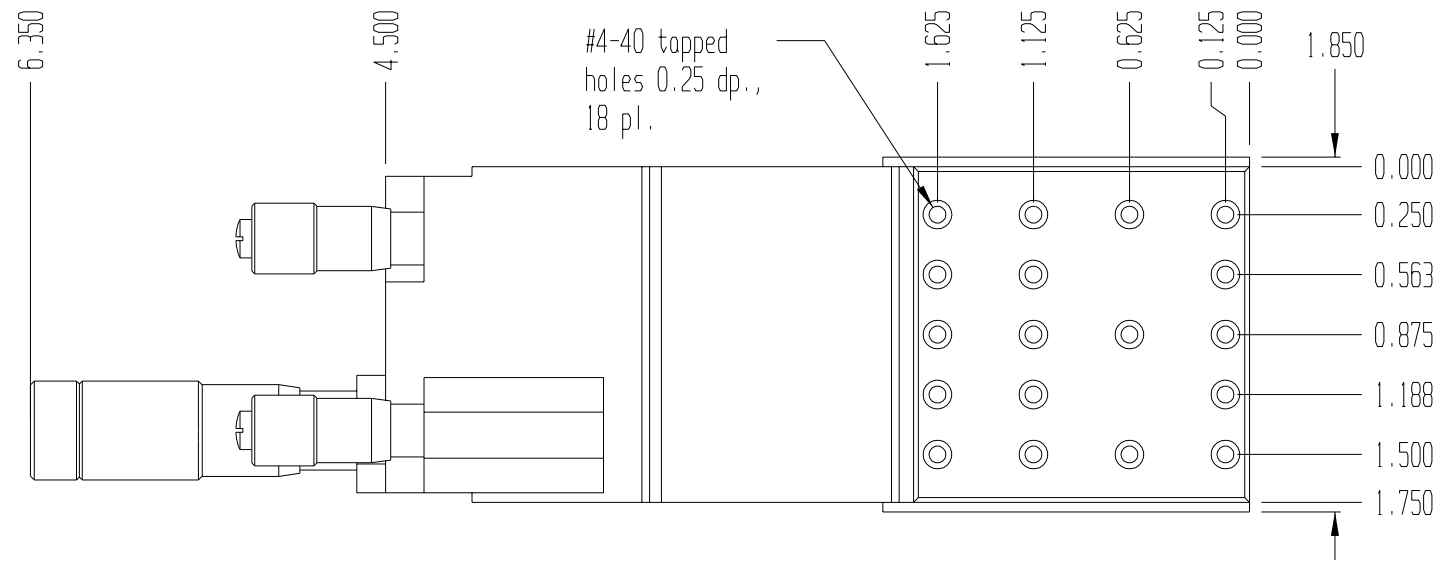
LUMINOS INDUSTRIES LTD

RYP3000 Positioner (manual) - Front & End Outline

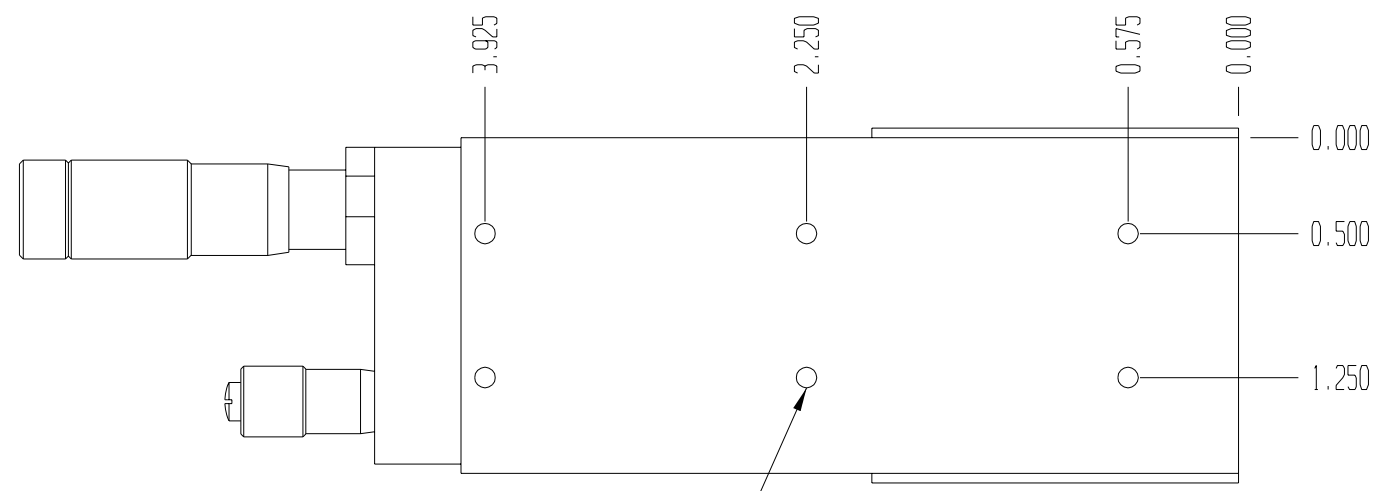
Material:
 Finish: Tolerance

SIZE A	VIEW	DWG NO.	RYP3000-01	REV
SCALE 0.75	FILE	RYP3000.prt	SHEET 1/3	

DESCRIPTION	REV Date: Jan 09, 03	APPROVED
-------------	----------------------	----------



Top View



Bottom View

LUMINDS INDUSTRIES LTD

RYP3000 Positioner (manual) - Outline Top & Bottom

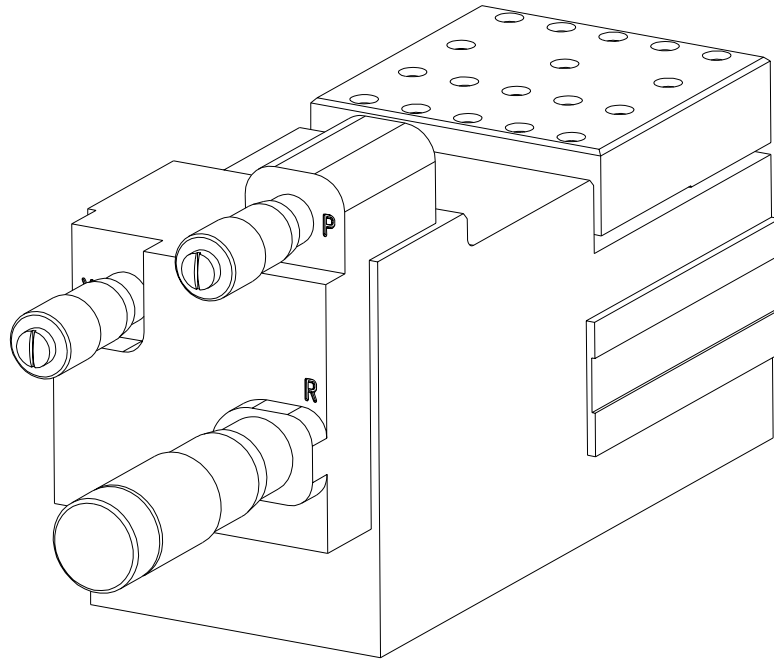
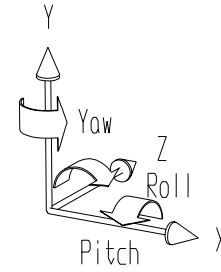
Material:
Finish: Tolerance

SIZE A	VIEW	DWG NO.	RYP3000-01	REV A
SCALE 1	FILE	RYP3000.prt	SHEET 2/3	

PKG Start Date:

REV Date: Jan 09, 03

APPROVED

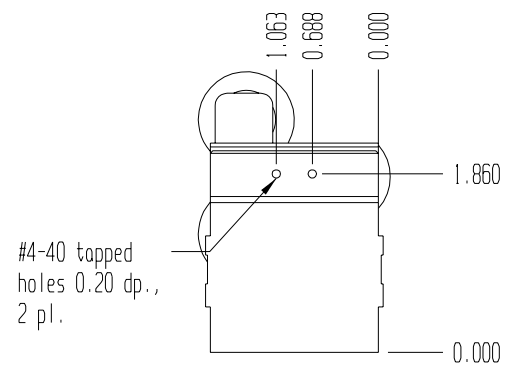
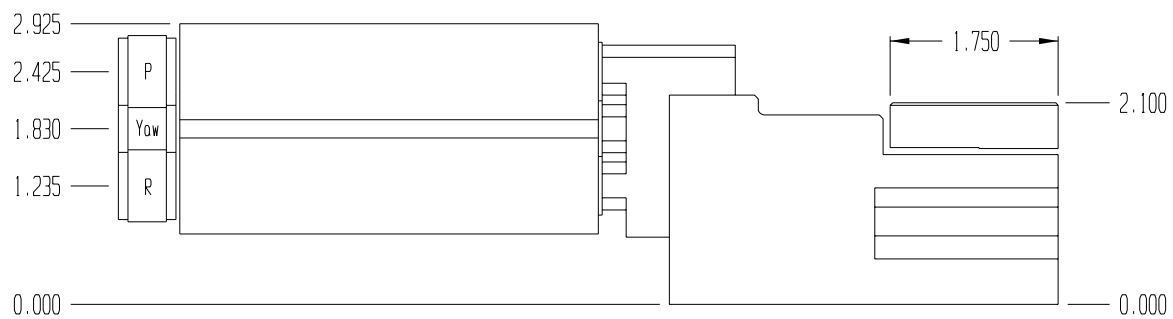


LUMINDS INDUSTRIES LTD

RYP3000 Positioner (manual) - Perspective View

Material:
Finish: Tolerance

SIZE A	VIEW	DWG NO.	RYP3000-01	REV
SCALE 1	FILE	RYP3000.prt	SHEET 3/3	



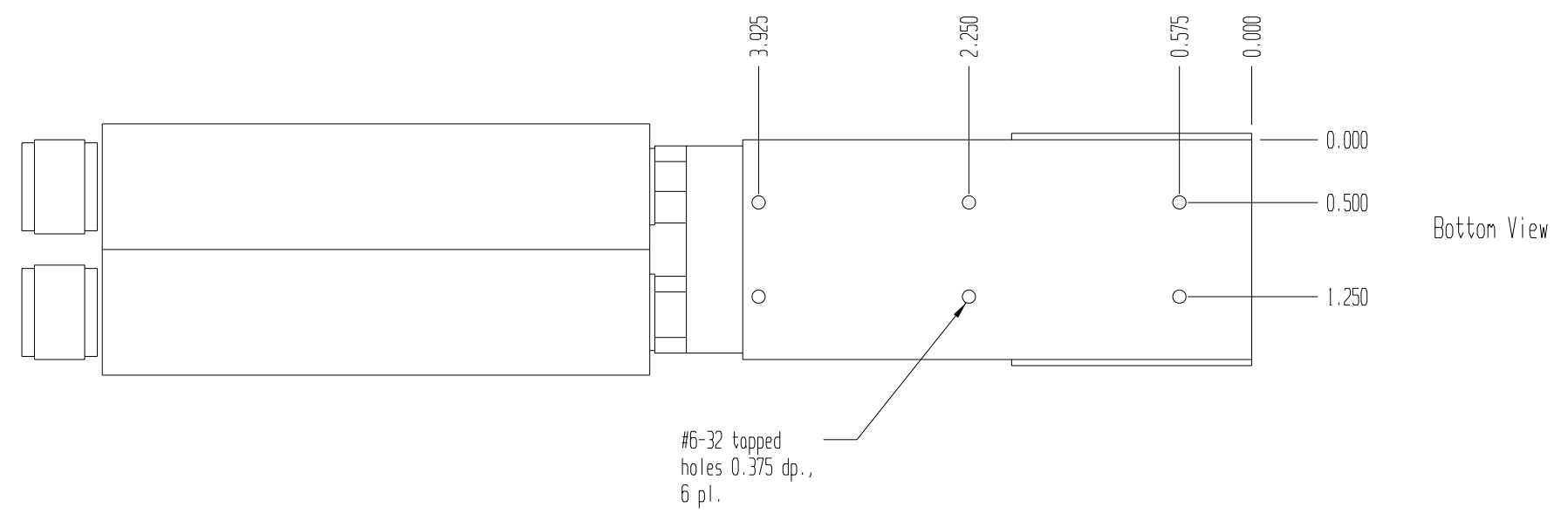
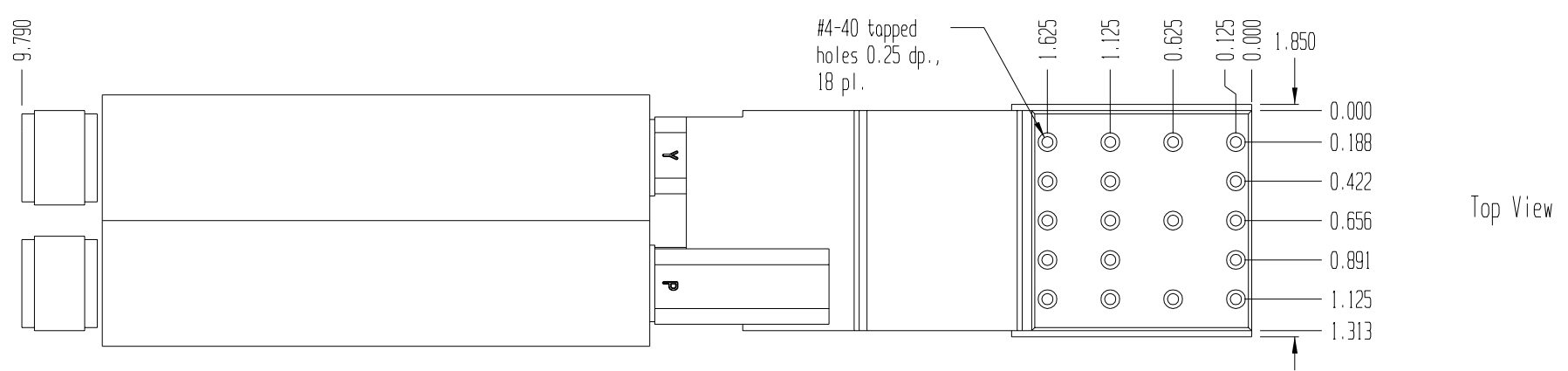
NOTE: Stage is shown in mid-position of travel
 Roll, Yaw & Pitch: +/- 1.5° each axis

LUMINOS INDUSTRIES LTD

RYP3000 Positioner (stepper motor) - Front & End Outline

Material:	
Finish:	Tolerance

SIZE A	VIEW	DWG NO.	RYP3000-02	REV
SCALE 0.5	FILE	RYP3000.prt	SHEET 1/3	



LUMINOS INDUSTRIES LTD

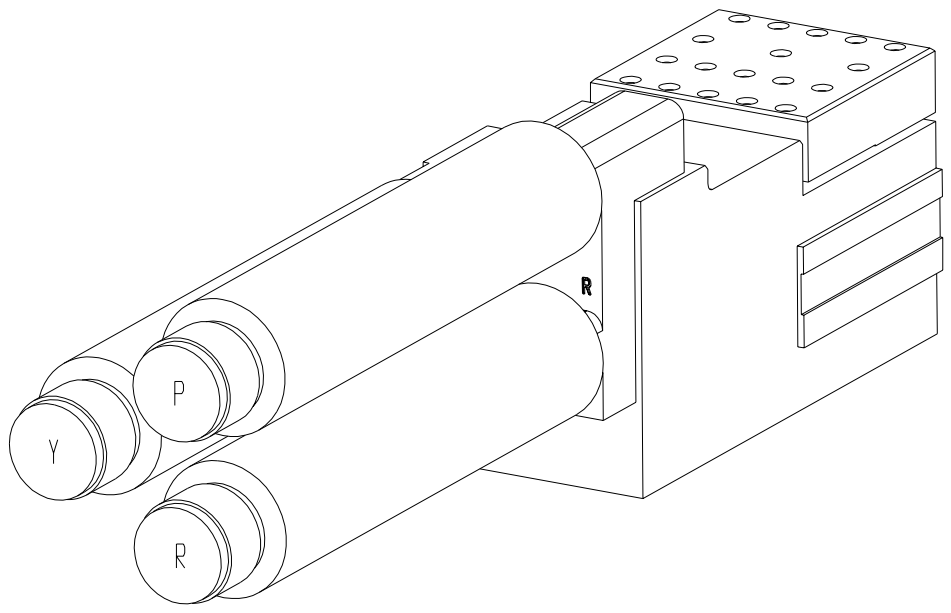
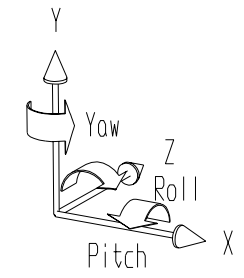
RYP3000 Positioner (stepper motor) - Outline Top & Bottom

Material:		SIZE A	VIEW	DWG NO.	RYP3000-02	REV A
Finish:	Tolerance	SCALE 0.75	FILE	RYP3000.prt	SHEET 2/3	

PKG Start Date:

REV Date: Jan 09, 03

APPROVED



LUMINDS INDUSTRIES LTD

RYP3000 Positioner (stepper motor) - Perspective View

Material:
Finish: Tolerance

SIZE A	VIEW	DWG NO.	RYP3000-02	REV
SCALE 0.75	FILE	RYP3000.prt	SHEET 3/3	