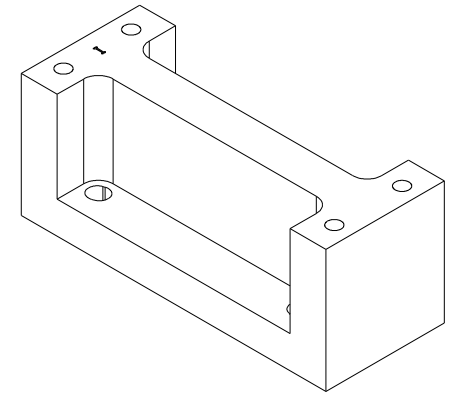
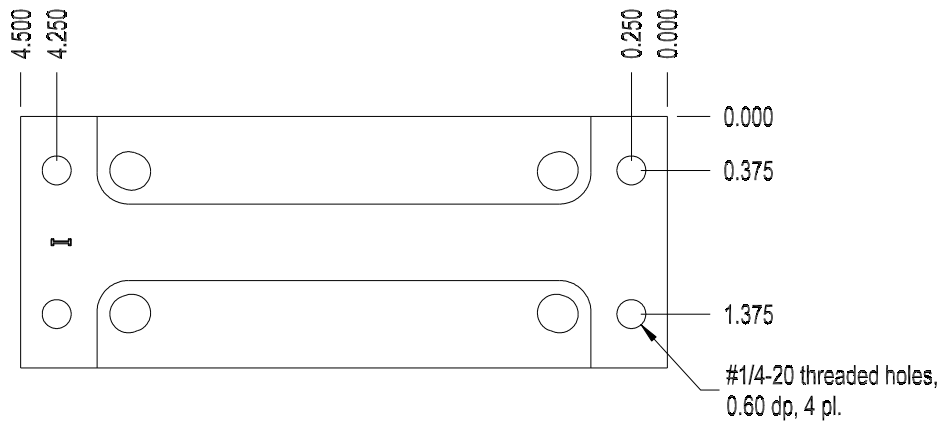


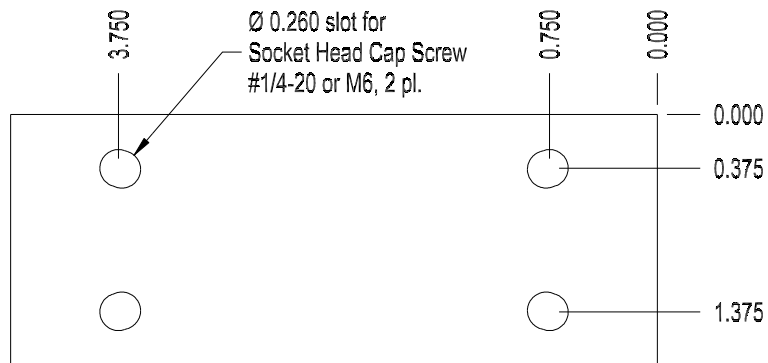
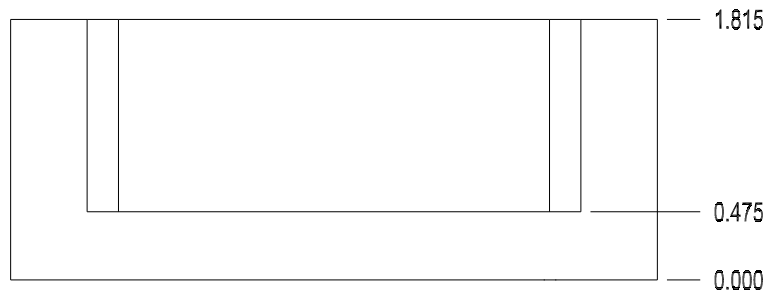
PKG Start Date

REV Date

APPROVED



Scale 0.5



ADP003-I Adapter Block

Material:  
Finish: Tolerance:

SIZE A	VIEW:	DWG NO. PT041715A	REV A
SCALE 0.75	FILE	PT041715A.ckd	SHEET 1/1