

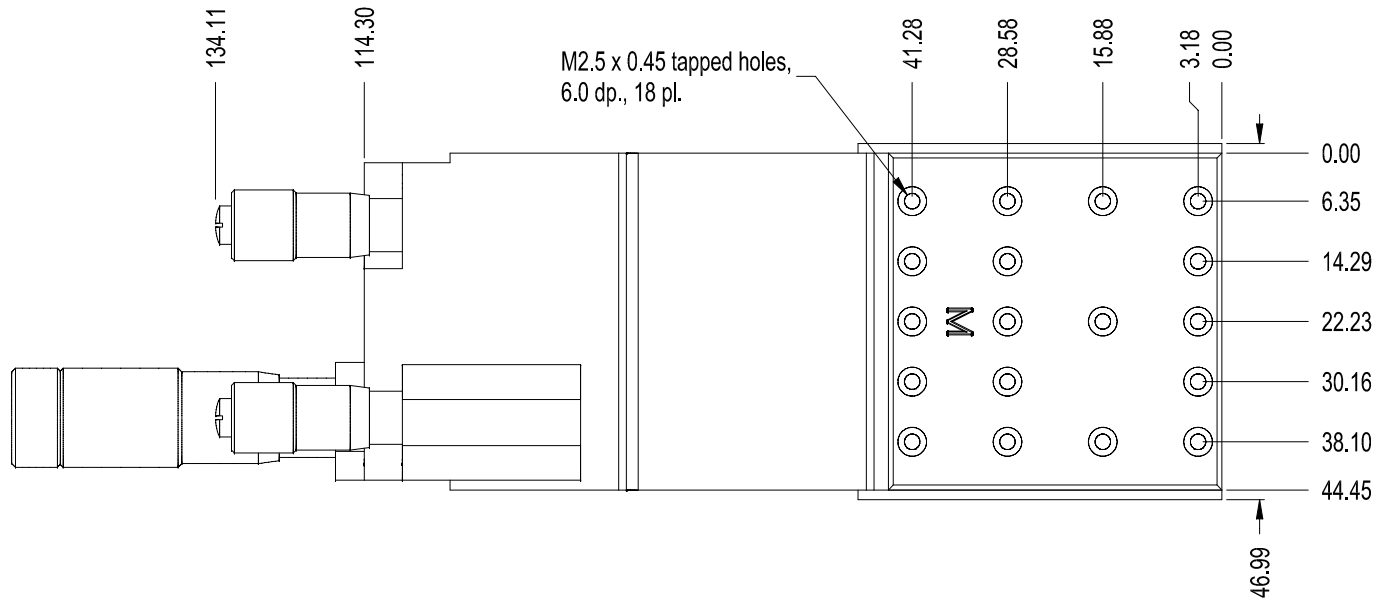
NOTE: Stage is shown in mid-position of travel
 Roll travel: $\pm 1.5^\circ$, 10 arc-sec/div., 6 turns/degree
 Yaw & Pitch travel: $\pm 1.5^\circ$, 30 arc-sec/div., 4 turns/degree

LUMINOS INDUSTRIES LTD

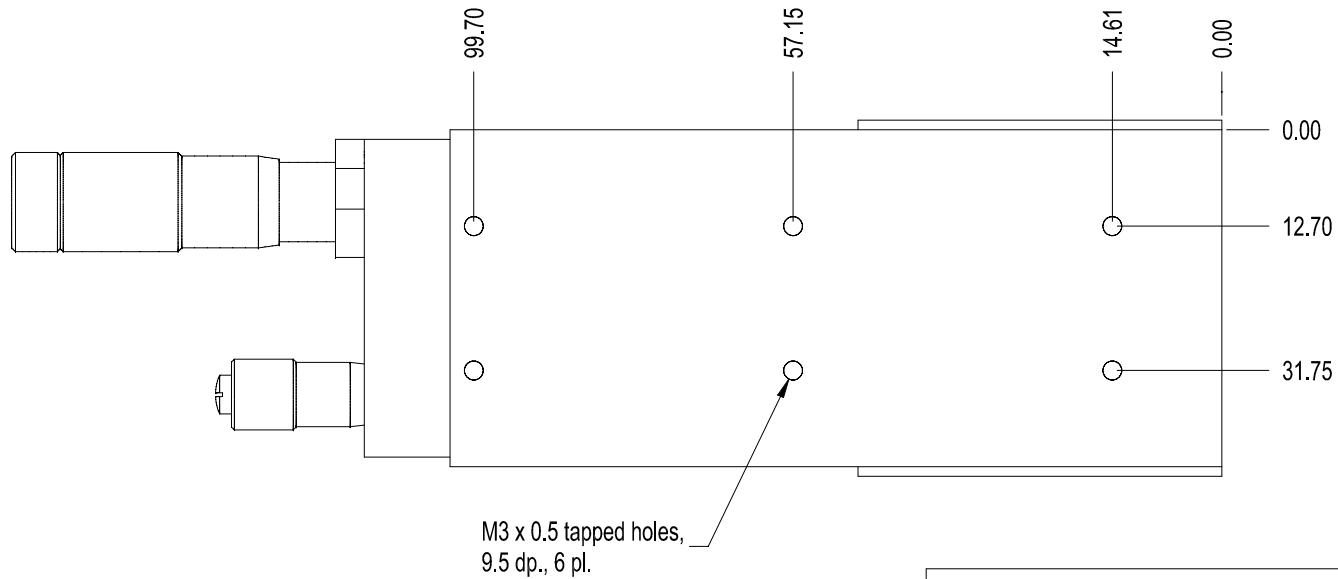
RYP3000 3-Axis Manual Rotational Positioner - Front & End Outline

Material:
 Finish: Tolerance:

SIZE A	VIEW	DWG NO.	PT048511A	REV A
SCALE 0.75	FILE	PT0485A.ckd	SHEET 1/3	



Top View



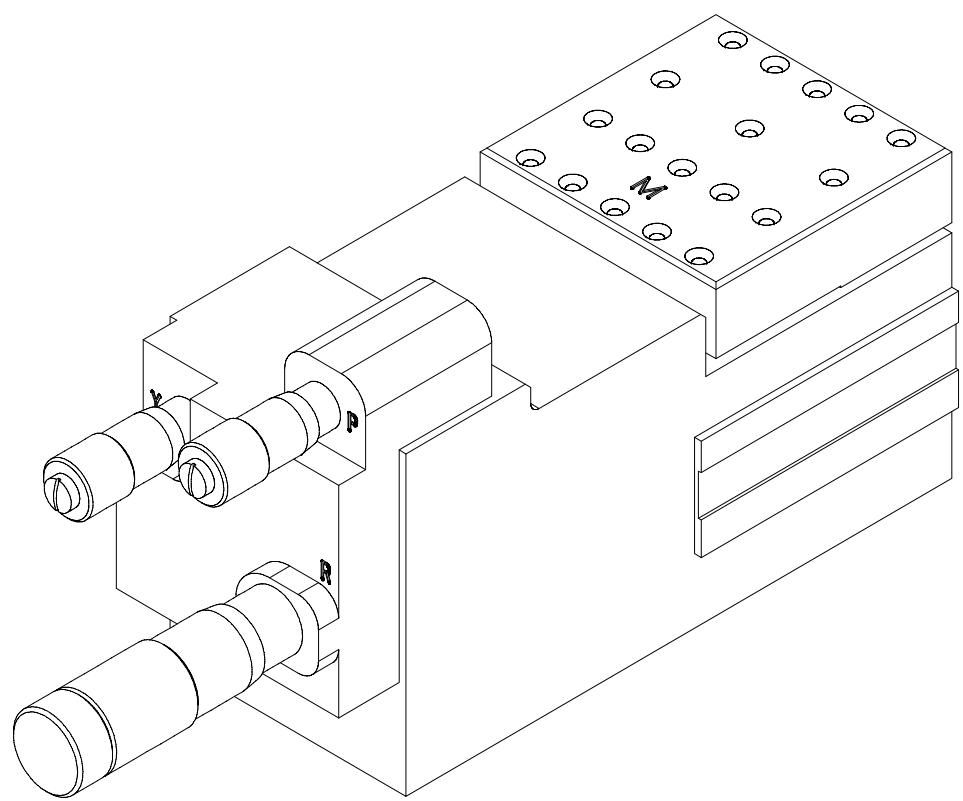
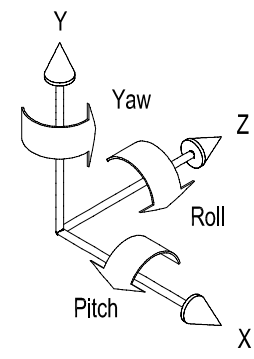
Bottom View

LUMINOS INDUSTRIES LTD

RYP3000 3-Axis Manual Rotational Positioner -Top & Bottom Outline

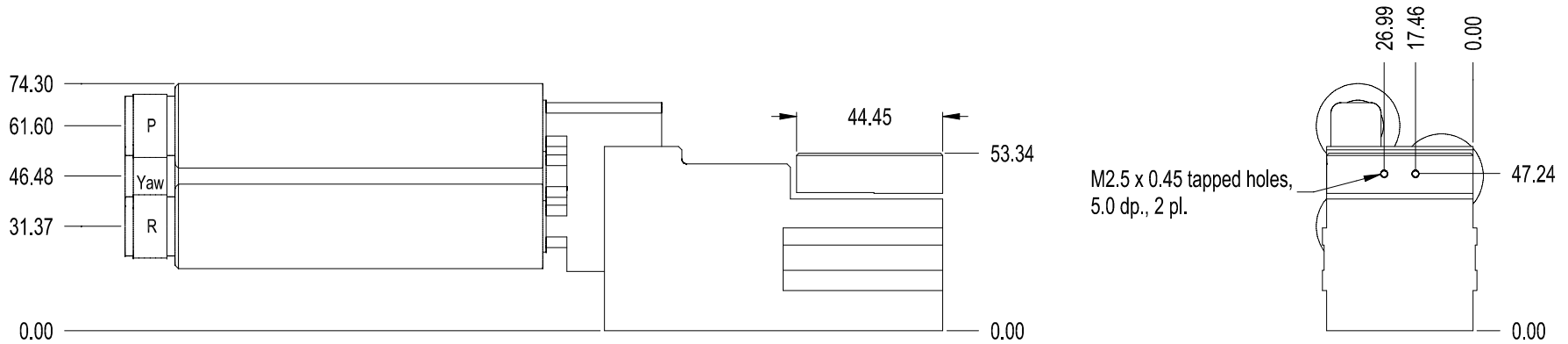
Material: _____
 Finish: _____ Tolerance: _____

SIZE A	VIEW	DWG NO.	PT048511A	REV A
SCALE 1	FILE	PT0485A.ckd	SHEET	2/3



LUMINOS INDUSTRIES LTD				
RYP3000 3-Axis Manual Rotational Positioner - Perspective View				
SIZE A	VIEW	DWG NO.	PT048511A	REV A
SCALE 1	FILE	PT0485A.ckd	SHEET 3/3	

Material:	
Finish:	Tolerance:



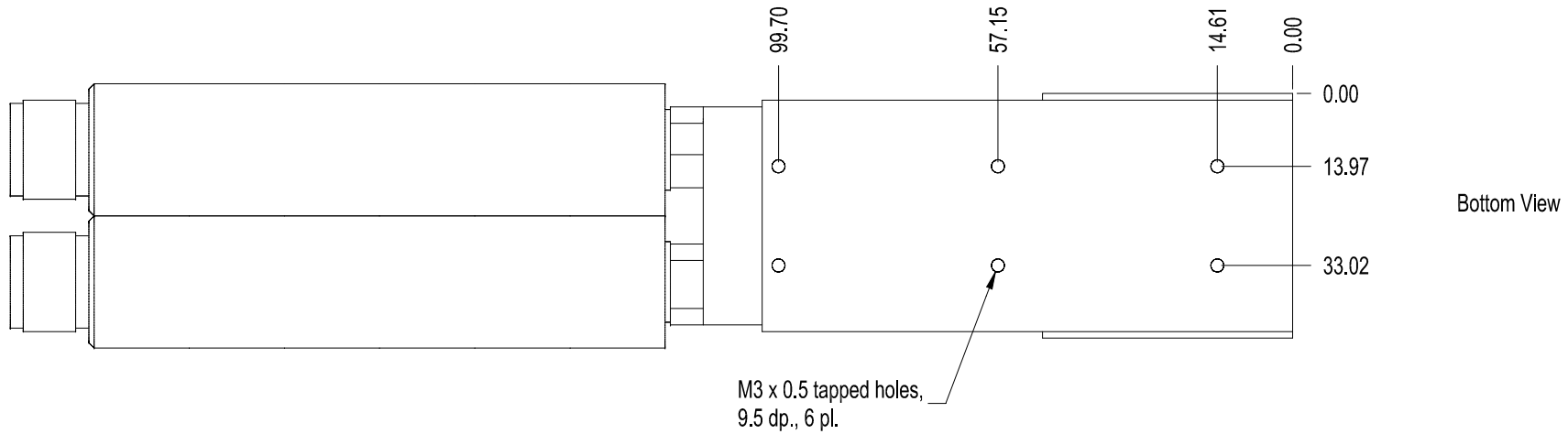
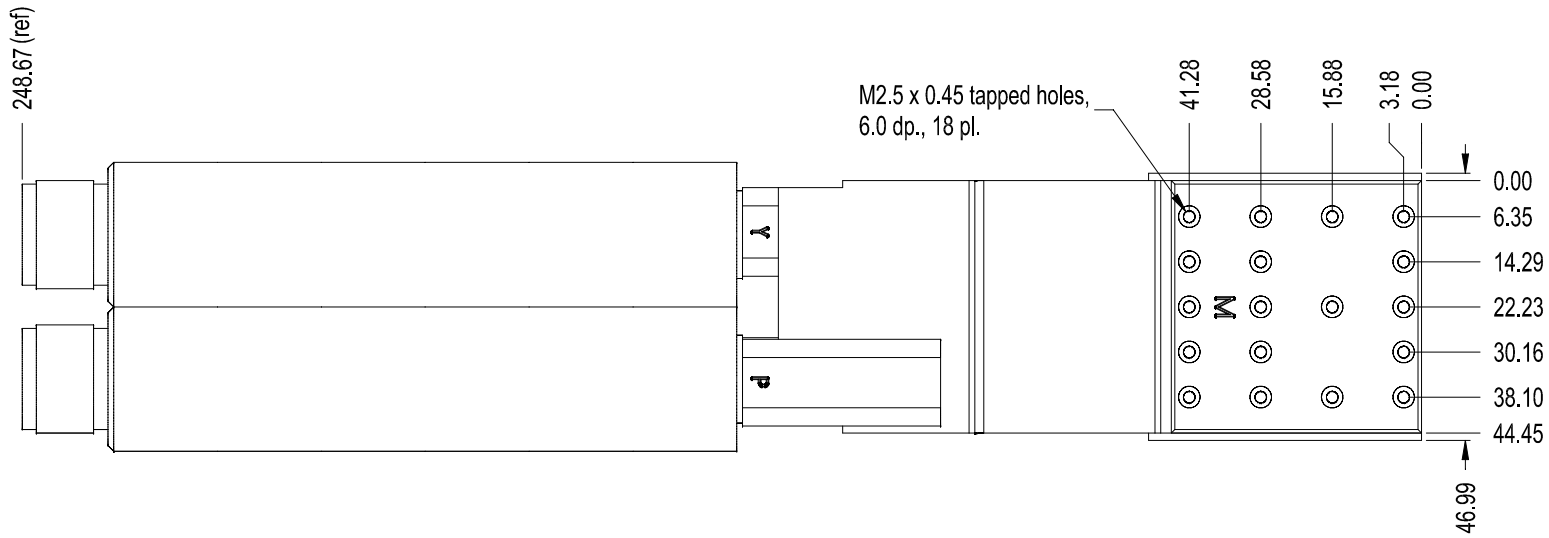
Stage is shown in mid-position of travel
 Roll, Yaw & Pitch: +/- 1.5° each axis

LUMINOS INDUSTRIES LTD

RYP3000 Positioner (stepper motor) - Front & End Outline

Material:
 Finish: Tolerance:

SIZE A	VIEW	DWG NO.	PT048512A	REV A
SCALE 0.5	FILE	PT0485A.ckd	SHEET 1/3	

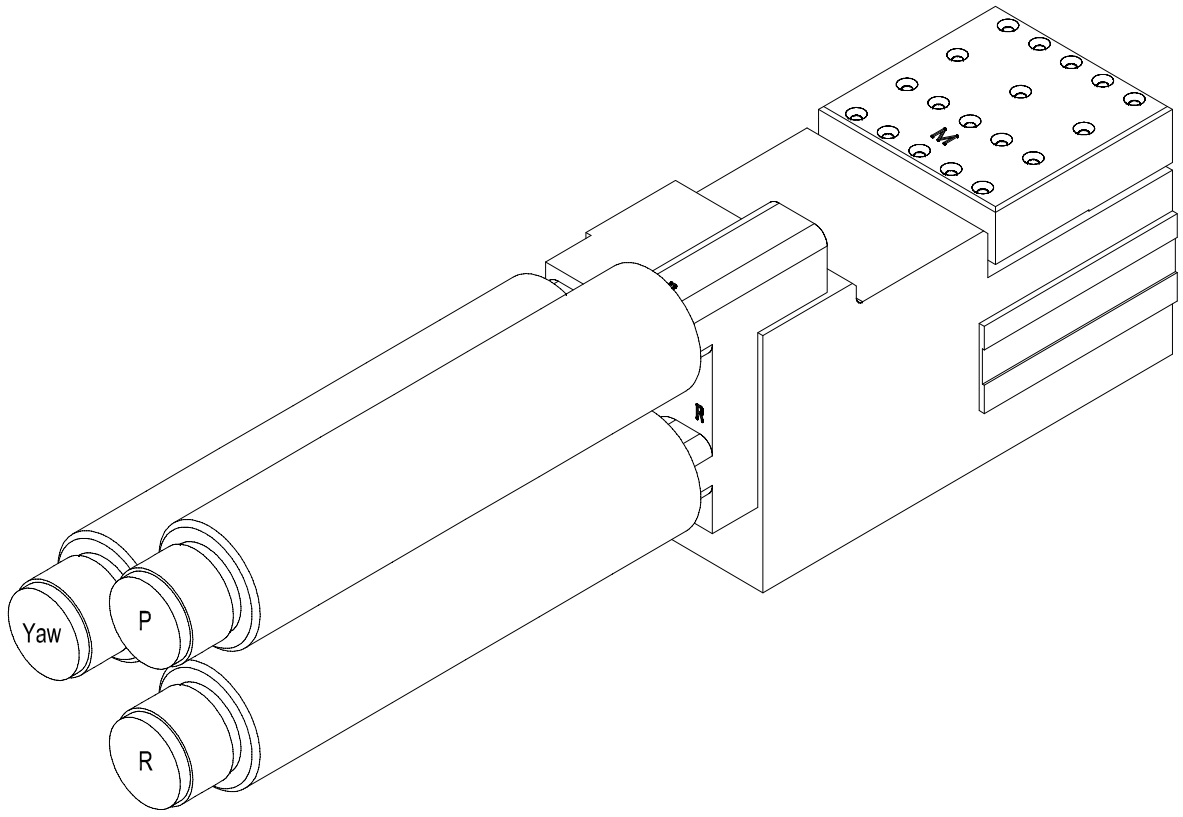
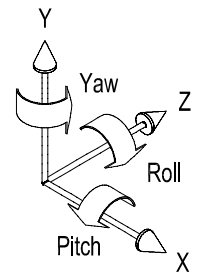


LUMINOS INDUSTRIES LTD

RYP3000 Positioner (stepper motor) - Outline Top & Bottom

Material: _____
 Finish: _____ Tolerance: _____

SIZE A	VIEW	DWG NO.	PT048512A	REV A
SCALE 0.75	FILE	PT0485A.ckd	SHEET 2/3	



LUMINOS INDUSTRIES LTD

RYP3000 Positioner (stepper motor) - Perspective View

Material: _____
 Finish: _____ Tolerance: _____

SIZE A	VIEW	DWG NO.	PT048512A	REV A
SCALE 0.75	FILE	PT0485A.ckd	SHEET 3/3	