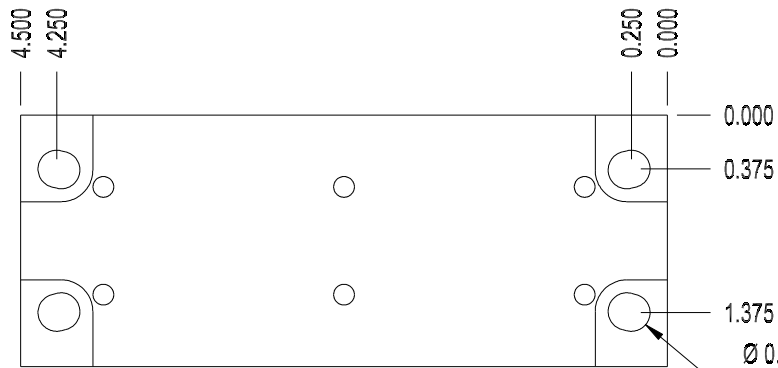


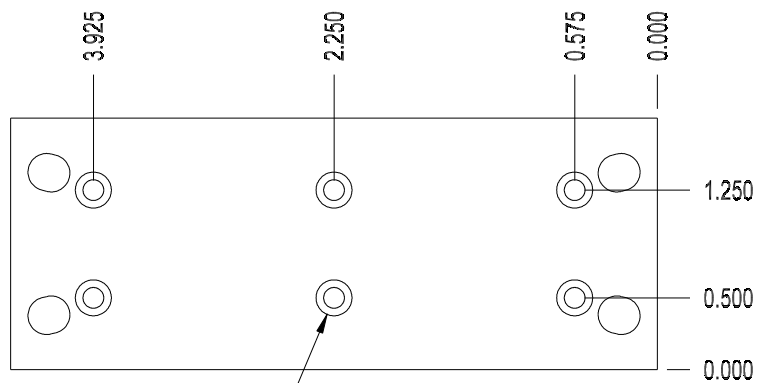
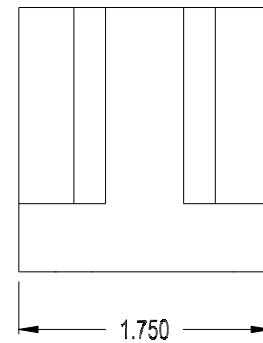
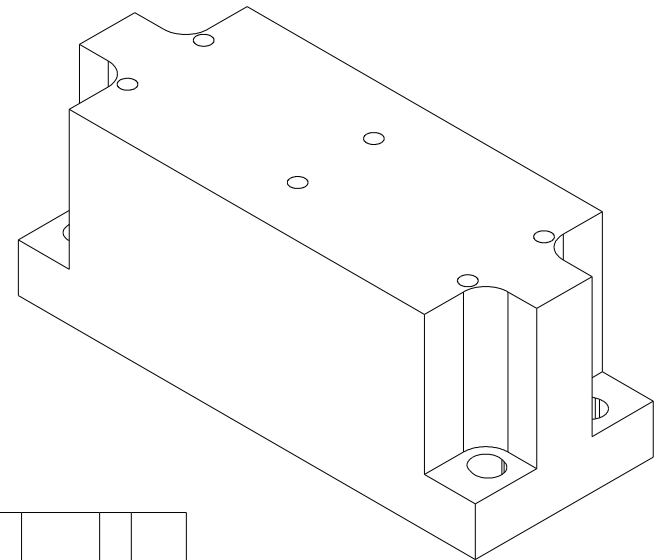
PKG Start Date

REV Date

APPROVED



Ø 0.260 slot for
Socket Head Cap Screw
#1/4-20 or M6, 4 pl.



Clearance holes with counterbore
for #6 Socket Head Cap Screws, 6 pl.



ADP002 Adapter Block

Material:
Finish: Tolerance:

SIZE A	VIEW:	DWG NO. PT0238016A	REV A
SCALE 0.75	FILE PT0238016A.ckd	SHEET 1/1	