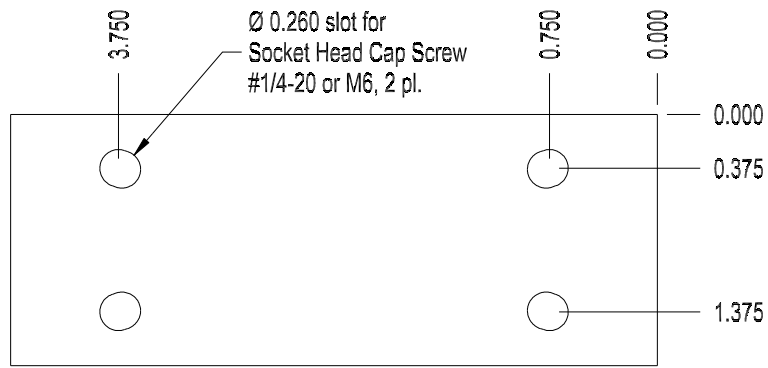
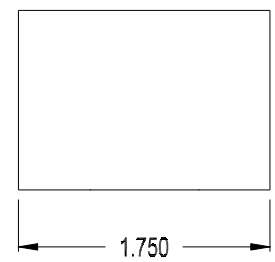
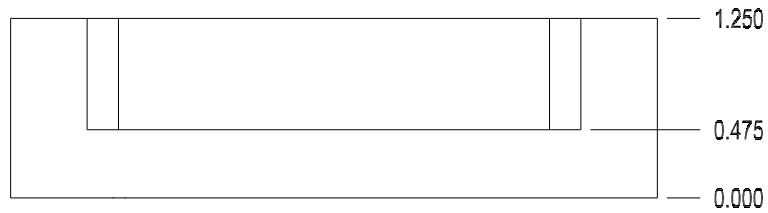
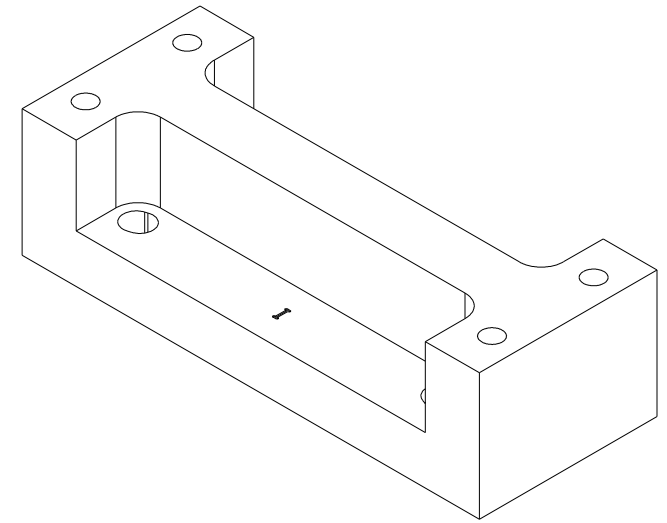
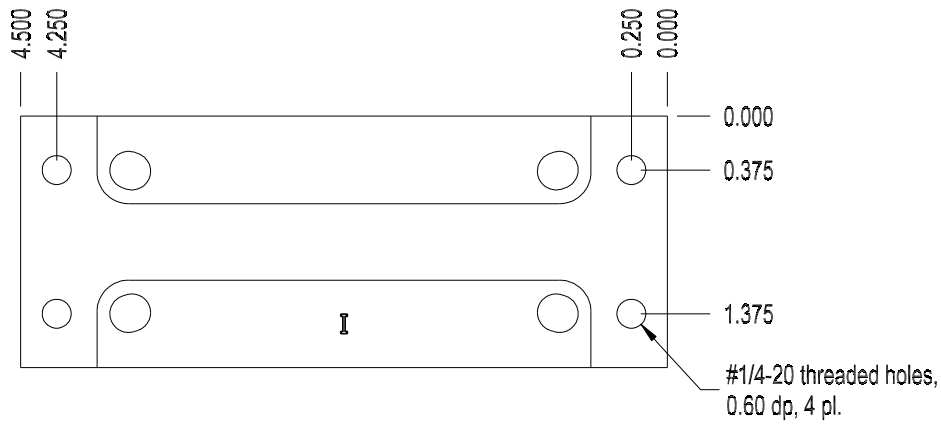


PKG Start Date

REV Date

APPROVED



ADP001-I Adapter Block (1.25" tall)

Material:
Finish: Tolerance:

SIZE A	VIEW:	DWG NO. PT041703B	REV B
SCALE 0.75	FILE	PT041703B.ckd	SHEET 1/1