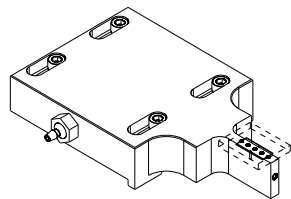
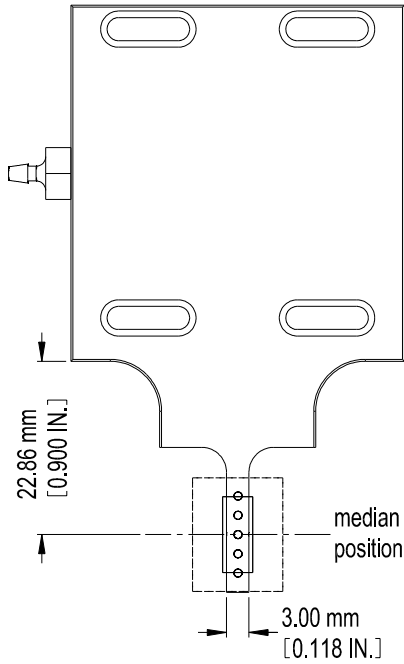


PKG Start Date Mar 27, 2008

REV Date Apr 1, 2008

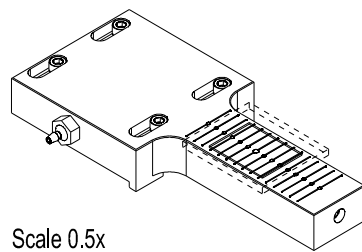
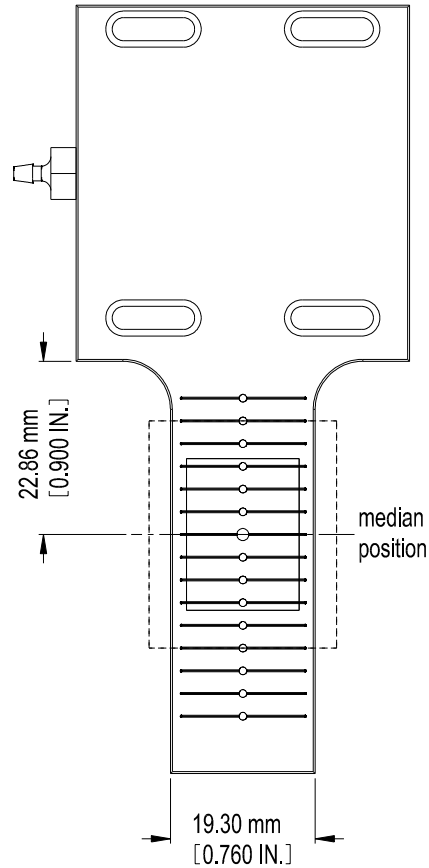
APPROVED

VPH001 (Part No. PT046301B)
 (4-12)mm x (10-15)mm x (0.2-2)mm substrate



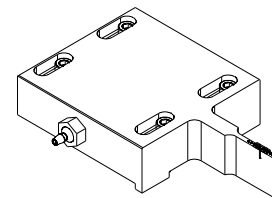
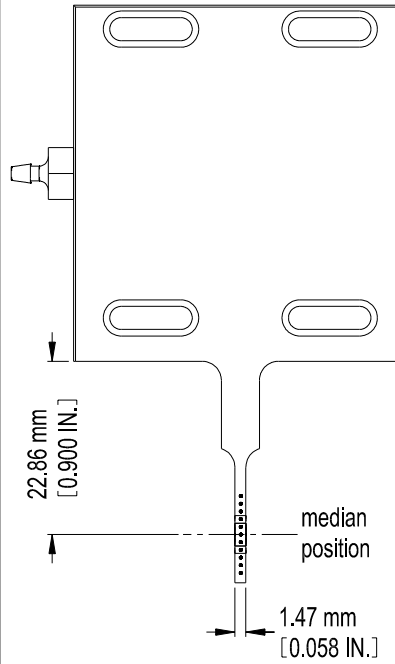
Scale 0.5x

VPH002 (Part No. PT046302A)
 (15-25)mm x (20-30)mm x (0.5-2)mm substrate



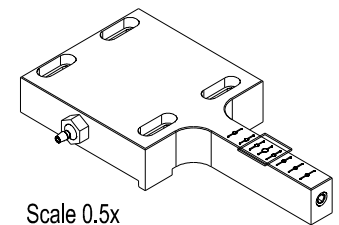
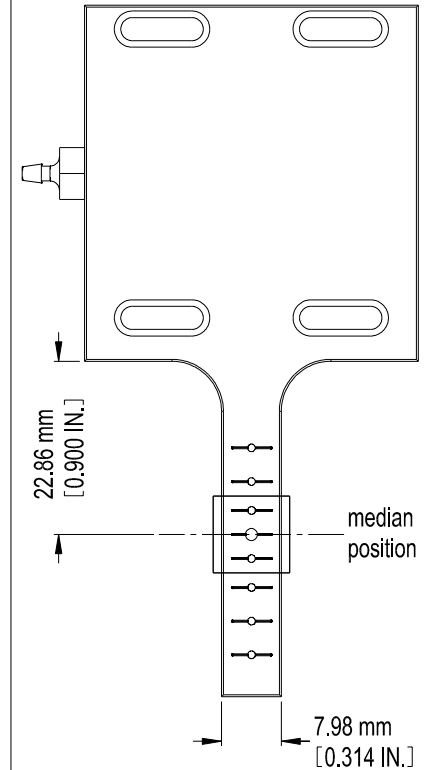
Scale 0.5x

VPH003 (Part No. PT046303B)
 1.5mm x (3-5)mm x 0.5mm substrate



Scale 0.5x

VPH004 (Part No. PT046304A)
 10mm x 10mm x 0.5mm substrate



Scale 0.5x

LUMINOS INDUSTRIES LTD

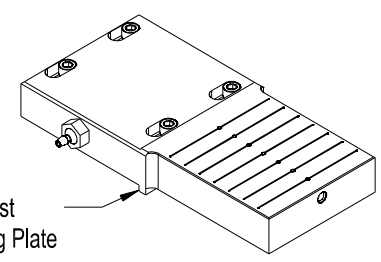
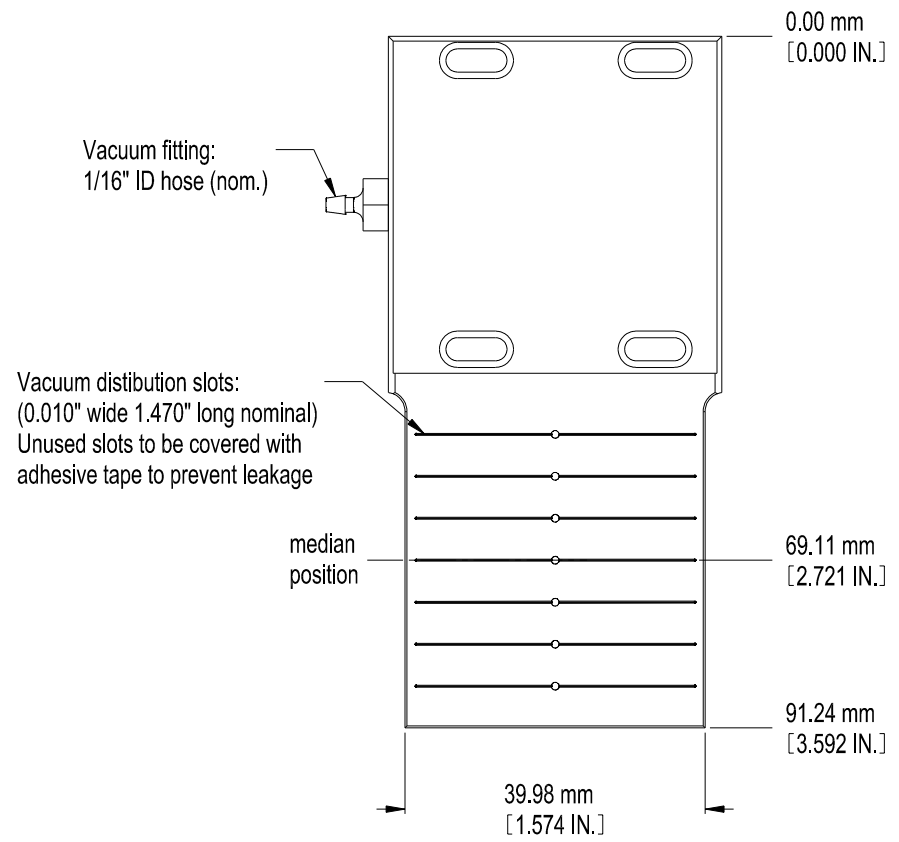
Vacuum Part Holder Types

Material:
 Finish:
 Tolerance:

Company Proprietary

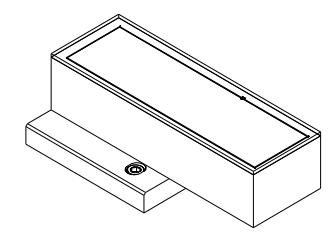
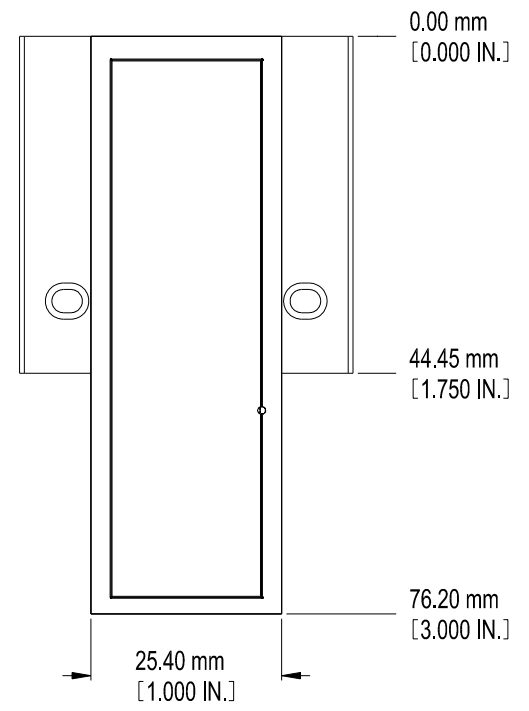
SIZE A	VIEW	DWG NO.	PT058401A	REV A
SCALE 1	FILE	PT0584A.ckd	SHEET 1/4	

VPH005 (Part No. PT058403A)



Scale 0.5x

VPH006 (Part No. PT033503A)
25.4mm x 76.2mm x 1.19mm microscope slide



Scale 0.5x

LUMINOS INDUSTRIES LTD

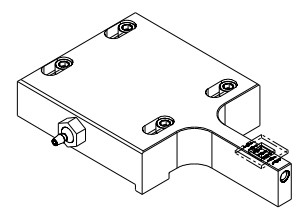
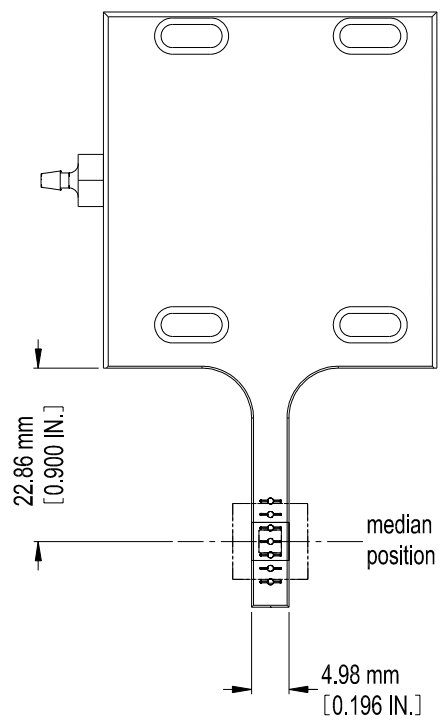
Vacuum Part Holder Types

Material:
Finish:
Tolerance:

Company Proprietary

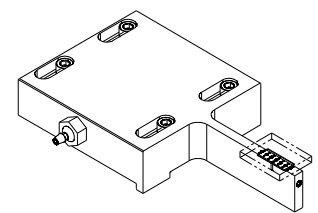
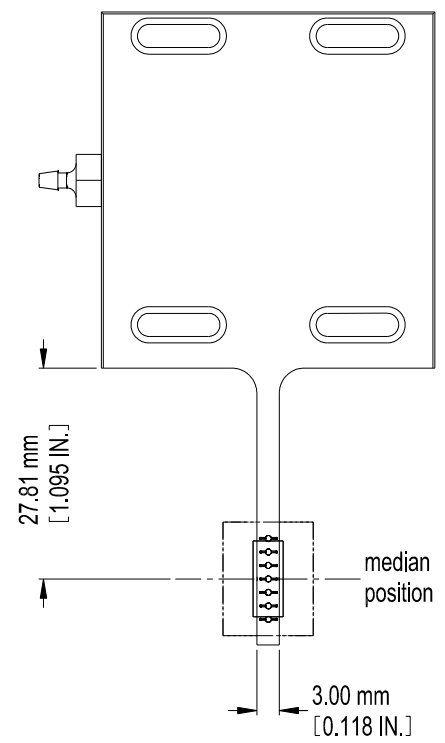
SIZE A	VIEW	DWG NO.	PT058401A	REV A
SCALE 1	FILE	PT0584A.ckd	SHEET 2/4	

VPH007 (Part No. PT058402A)
 (3-10)mm x (3-10)mm x 1mm substrate



Scale 0.5x

VPH008 (Part No. PT050301A)
 (4-12)mm x (10-15)mm x (0.2-2)mm substrate



Scale 0.5x

LUMINOS INDUSTRIES LTD

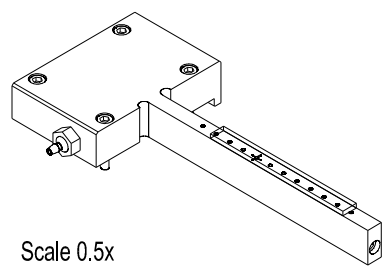
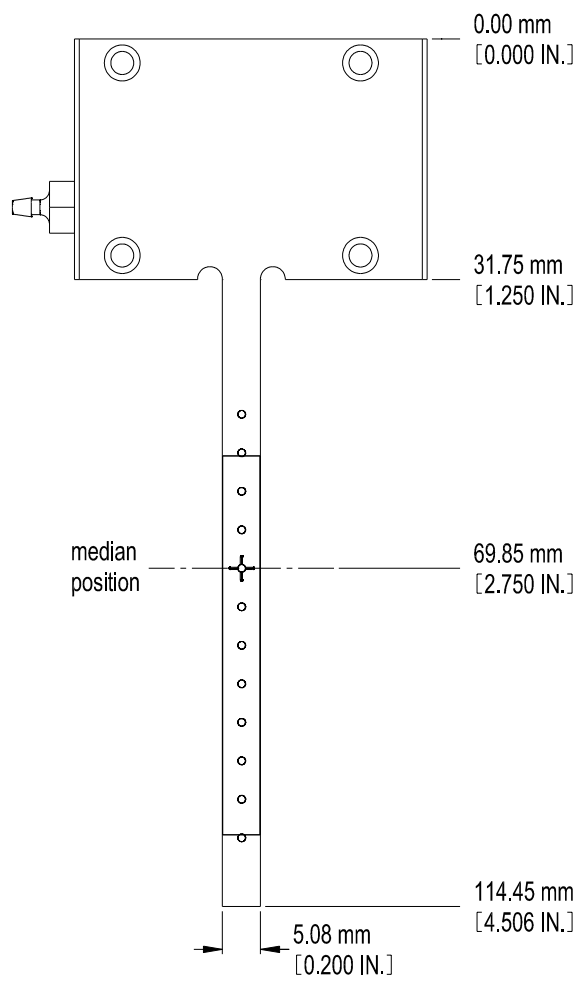
Vacuum Part Holder Types

Material:
 Finish:
 Tolerance:

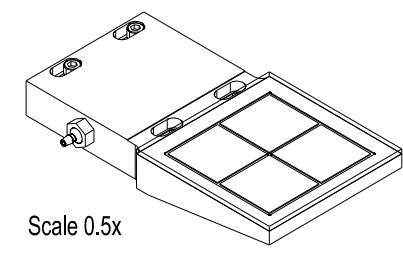
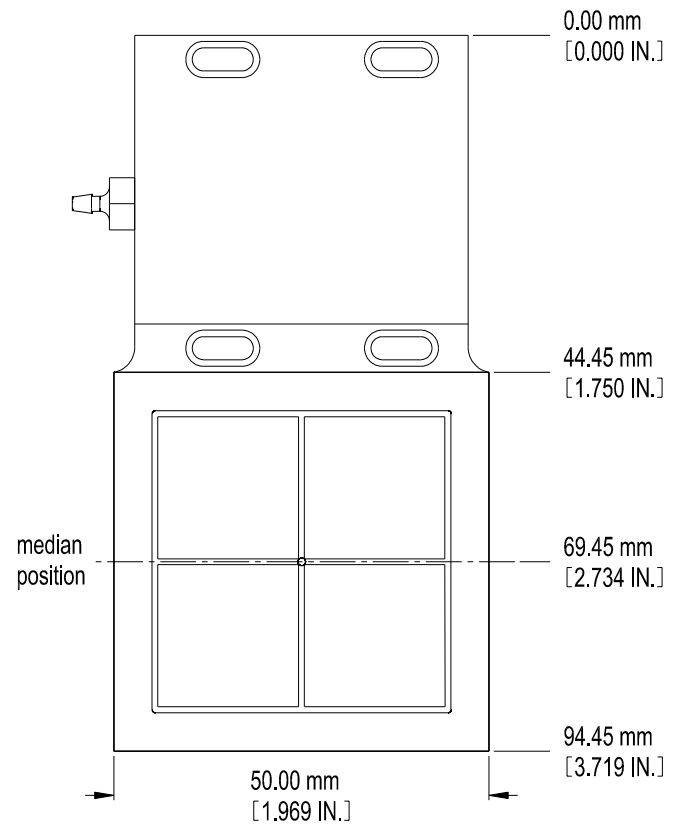
Company Proprietary

SIZE A	VIEW	DWG NO.	PT058401A	REV A
SCALE 1	FILE	PT0584A.ckd	SHEET 3/4	

VPH009 (Part No. PT044805A)
5mm x 50mm x 1.5mm substrate



VPH010 (Part No. PT044804A)
50mm x 50mm x 1.5mm substrate



LUMINOS INDUSTRIES LTD

Vacuum Part Holder Types

Material: _____
Finish: _____ Tolerance: _____

Company Proprietary

SIZE A	VIEW	DWG NO.	PT058401A	REV A
SCALE 1	FILE	PT0584A.ckd	SHEET 4/4	