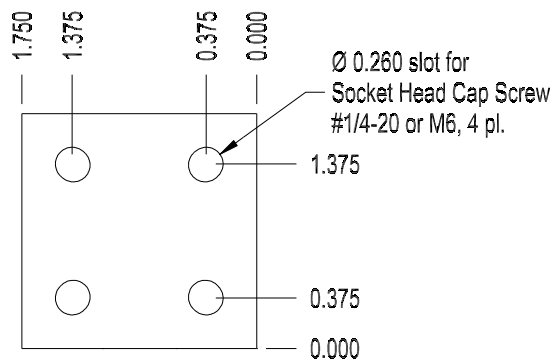
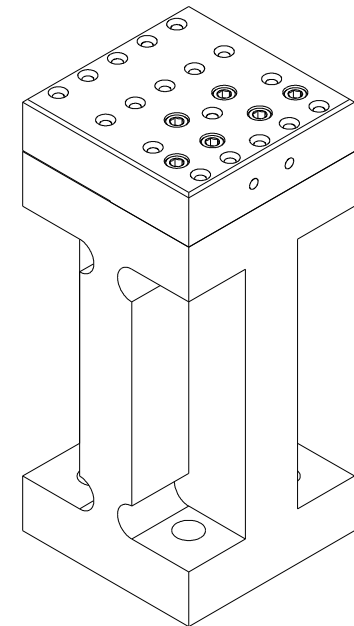
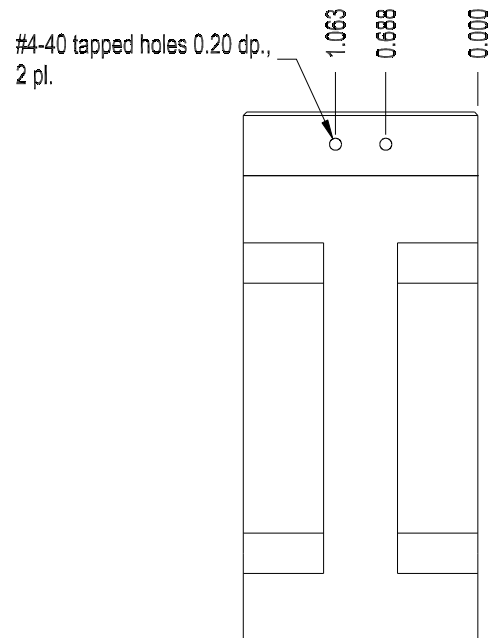
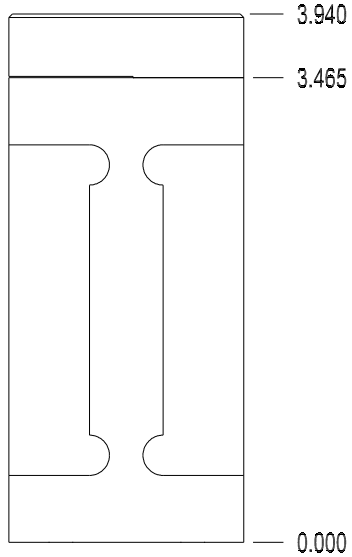
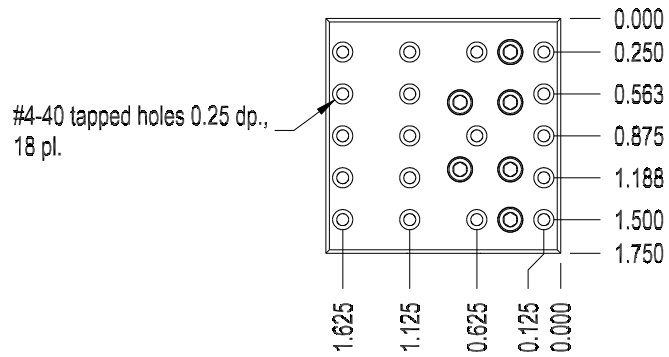


PKG Start Date

REV Date

APPROVED



PST001-I Post (3-Axis equivalent)

Material: _____
 Finish: _____ Tolerance: _____

SIZE A	VIEW:	DWG NO.	PT025511A	REV A
SCALE 0.7	FILE	PT025511A.ckd	SHEET 1/1	