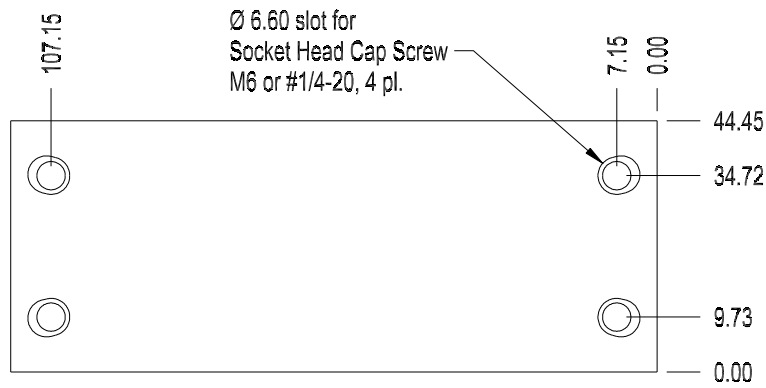
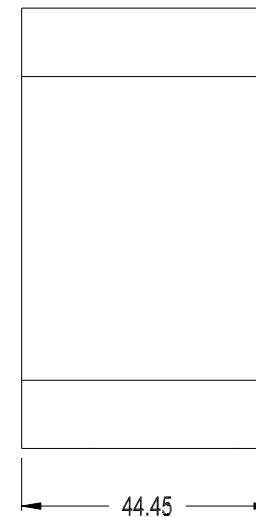
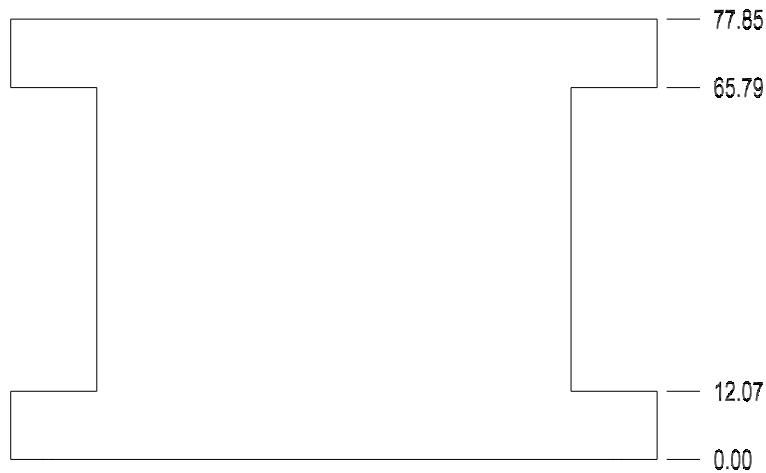


Scale 0.4



ADP004-SI Adapter Block

Material: _____
 Finish: _____ Tolerance: _____

SIZE A	VIEW:	DWG NO. PT0419213A	REV A
SCALE 0.75	FILE	PT0419213A.ckd	SHEET 1/1