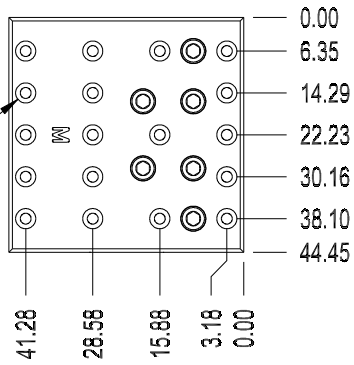


PKG Start Date

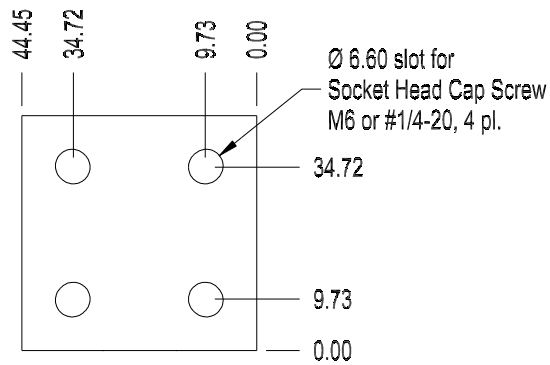
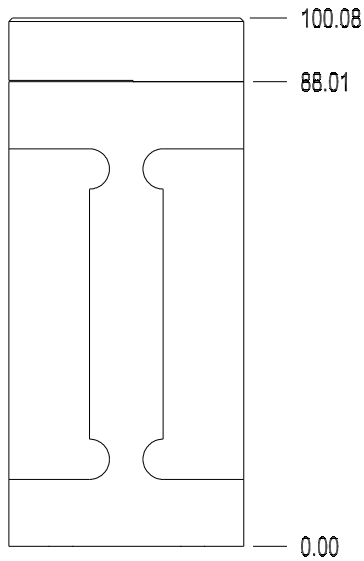
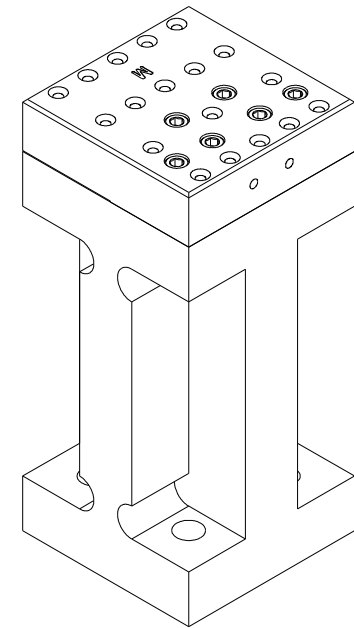
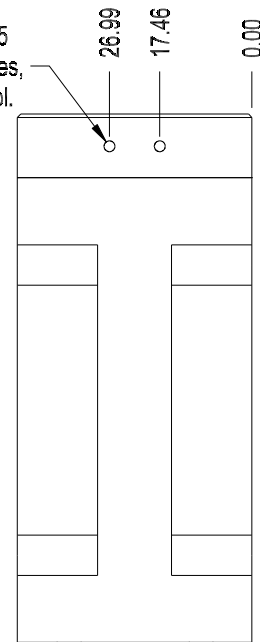
REV Date

APPROVED

M2.5 x 0.45 tapped holes,
6.0 dp., 18 pl.



M2.5 x 0.45
tapped holes,
5.0 dp., 2 pl.



PST001-SI Post (3-Axis equivalent)

Material: _____
 Finish: _____ Tolerance: _____

SIZE A	VIEW:	DWG NO. PT025513A	REV A
SCALE 0.7	FILE	PT025513A.ckd	SHEET 1/1