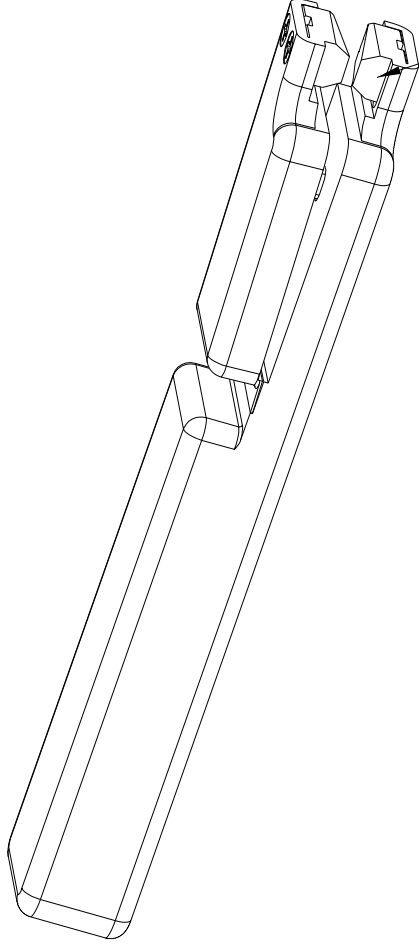


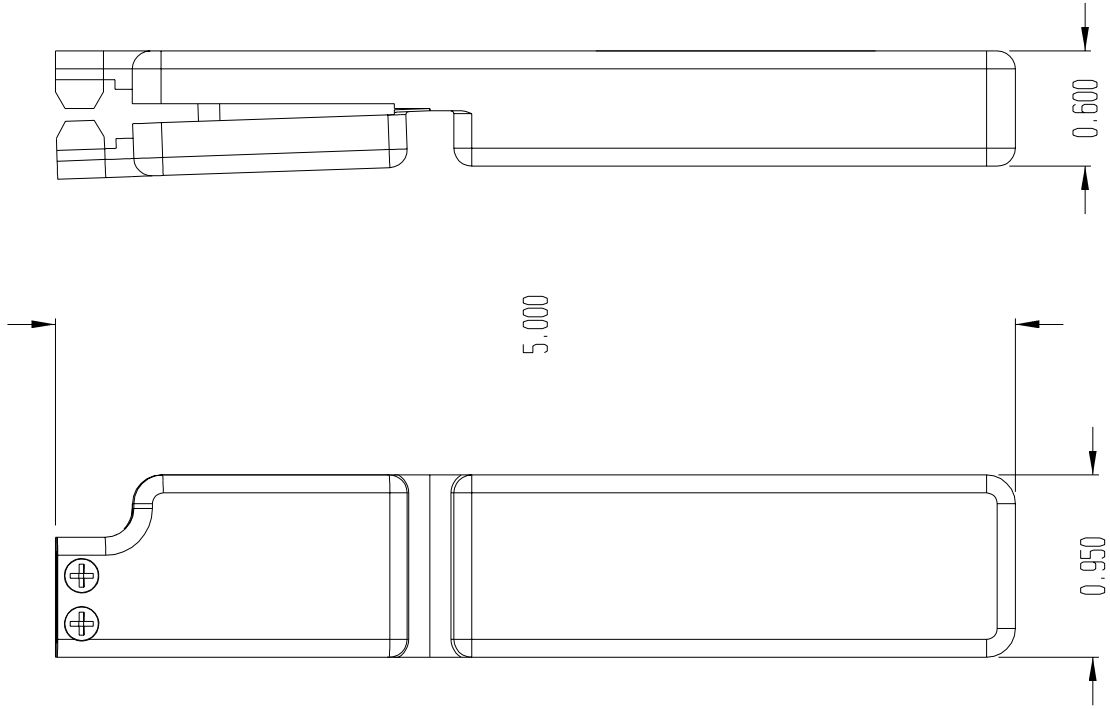
APPROVED

REV Date:

PKG Start Date:



Soft contact replaceable blade



LUMINDS INDUSTRIES LTD

Soft Contact Acrylate Stripping Tool

SIZE A VIEW PART NO. PT0124 REV A

SCALE 1 FILE PT0124.prt SHEET 1/1

Material:

Finish:

Tolerance