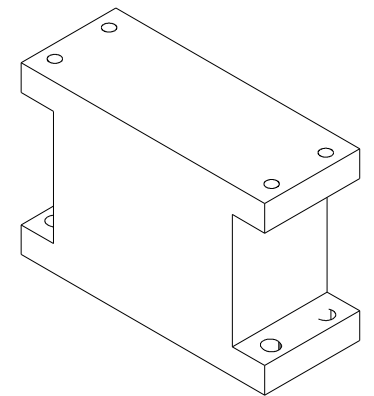
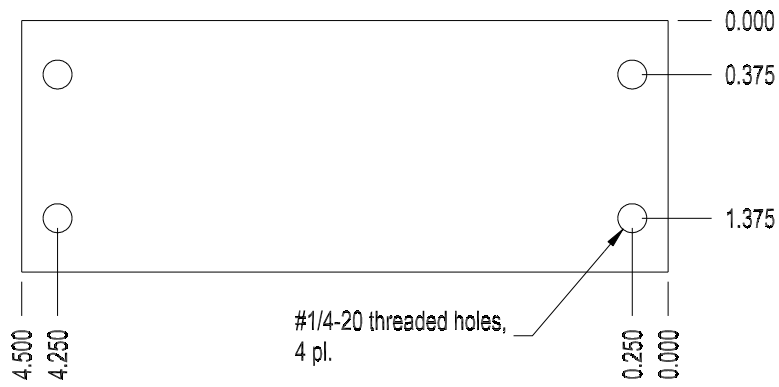


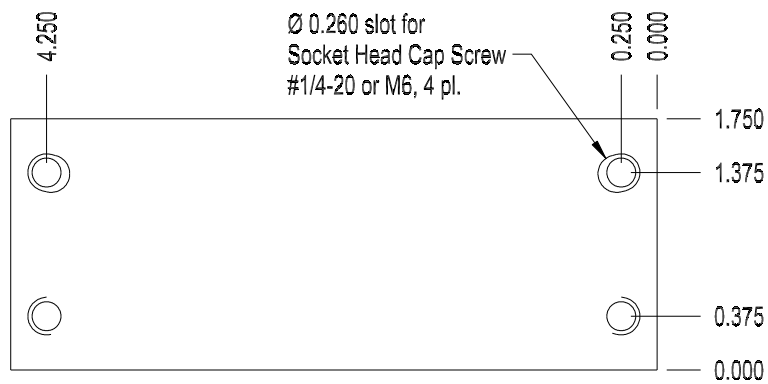
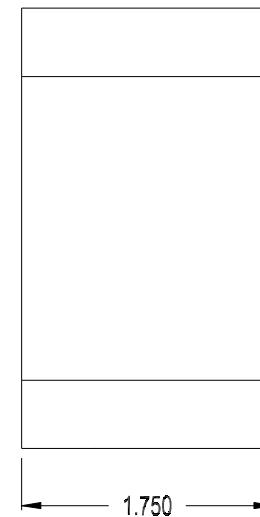
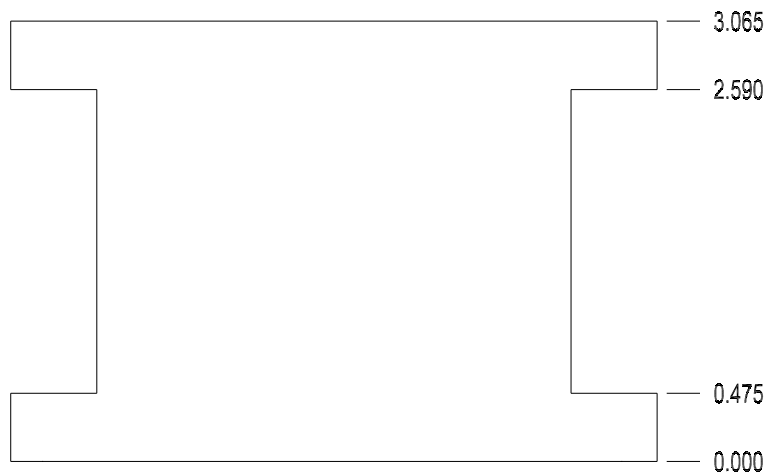
PKG Start Date

REV Date

APPROVED



Scale 0.4



ADP004-I Adapter Block

Material: \_\_\_\_\_  
 Finish: \_\_\_\_\_ Tolerance: \_\_\_\_\_

SIZE A	VIEW:	DWG NO. PT041915A	REV A
SCALE 0.75	FILE	PT041915A.ckd	SHEET 1/1